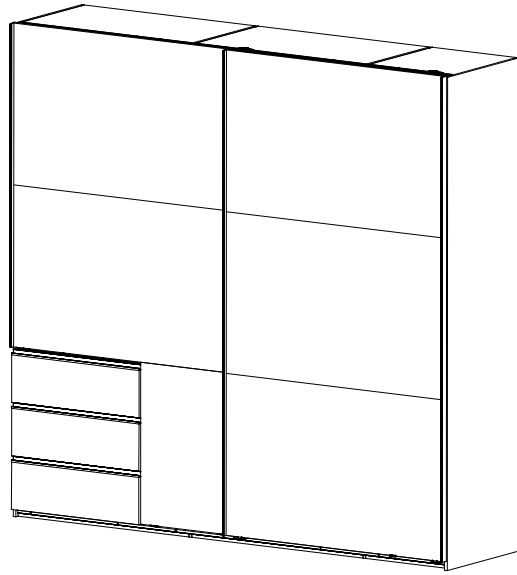
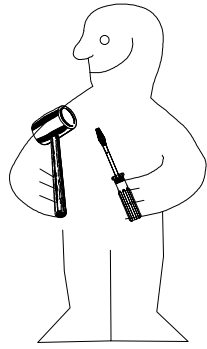
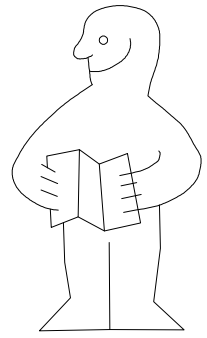
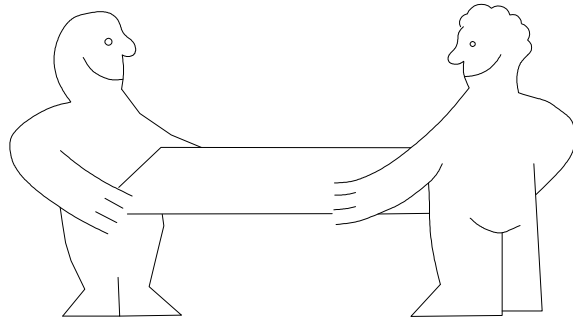
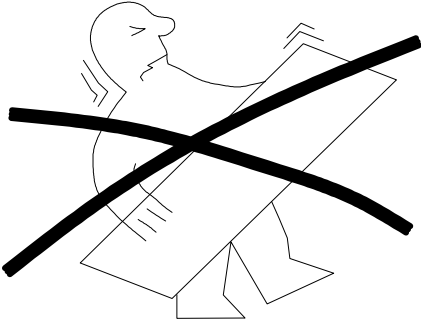




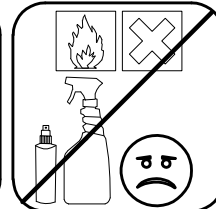
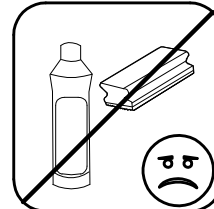
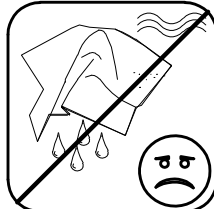
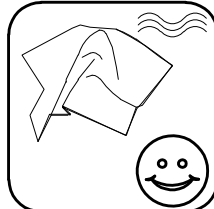
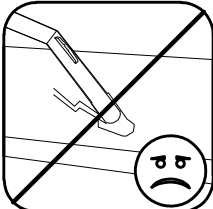
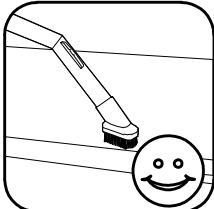
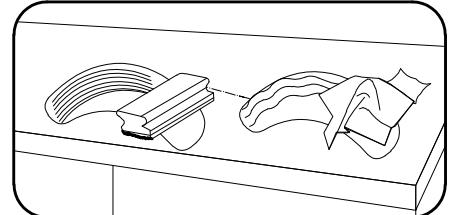
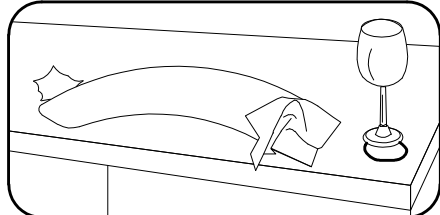
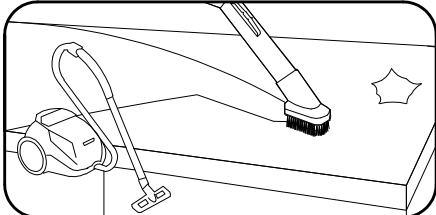
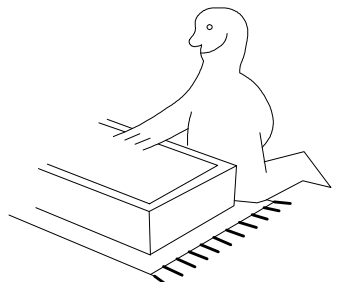
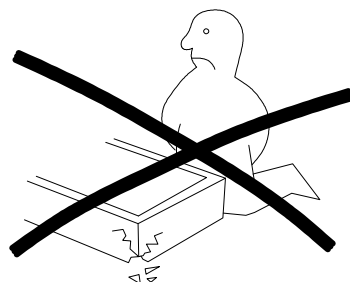
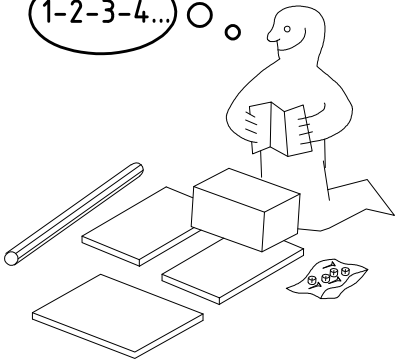
980791


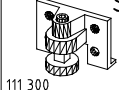


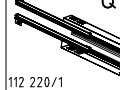

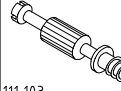


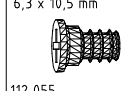
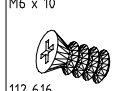
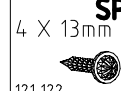
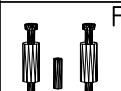
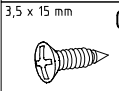
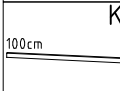
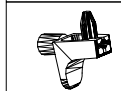
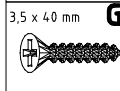
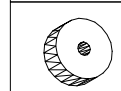
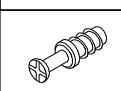

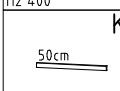

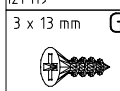
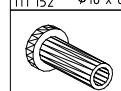
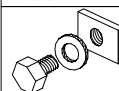
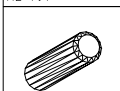



SHSP 250 ASK



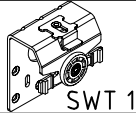
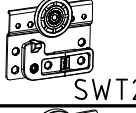
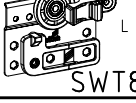
1-2-3-4... ○

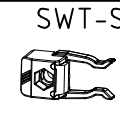
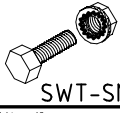


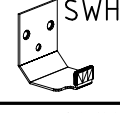
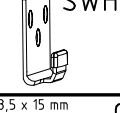
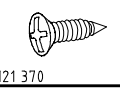


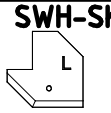

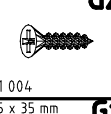
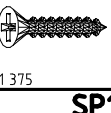

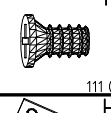
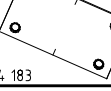
| | | | | | | | | | | | |
|---|-----|--|-----|---|-----|---|-----|--|-----|---|----|
|  A1 111 xxx | 24x |  S0 111 300 | 14x |  K2 117 002 | 6x |  J2 111 611 | 14x |  Q45 112 220/1 | 3x |  o10 111 052 | 1x |
|  C 111 103 | 8x |  V12 111 xxx φ12 | 14x |  SBV | 26x |  T1 6,3 x 10,5 mm | 36x |  T3 M6 x 10 | 6x |  SP13 4 X 13mm | 3x |
|  F3 | 8x |  G1 121 370 3,5 x 15 mm | 46x |  K10 100cm | 2x |  L8 112 055 | 24x |  G25 3,5 x 40 mm | 7x |  D8 111 152 φ18 x 8 x 4 | 6x |
|  F 111 229 | 4x |  VB23 111 252 | 4x |  K11 50cm | 1x |  Z 111 607 | 2x |  G21 3 x 13 mm | 12x |  F5 111 xxx φ5 x 15 x M4 | 6x |
| | |  SWT-STK | 1x |  D 353 018 φ8 x 30 | 2x | | | | |  MS 14 121 010 M4 x 14 | 6x |

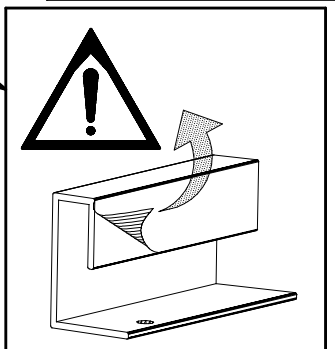
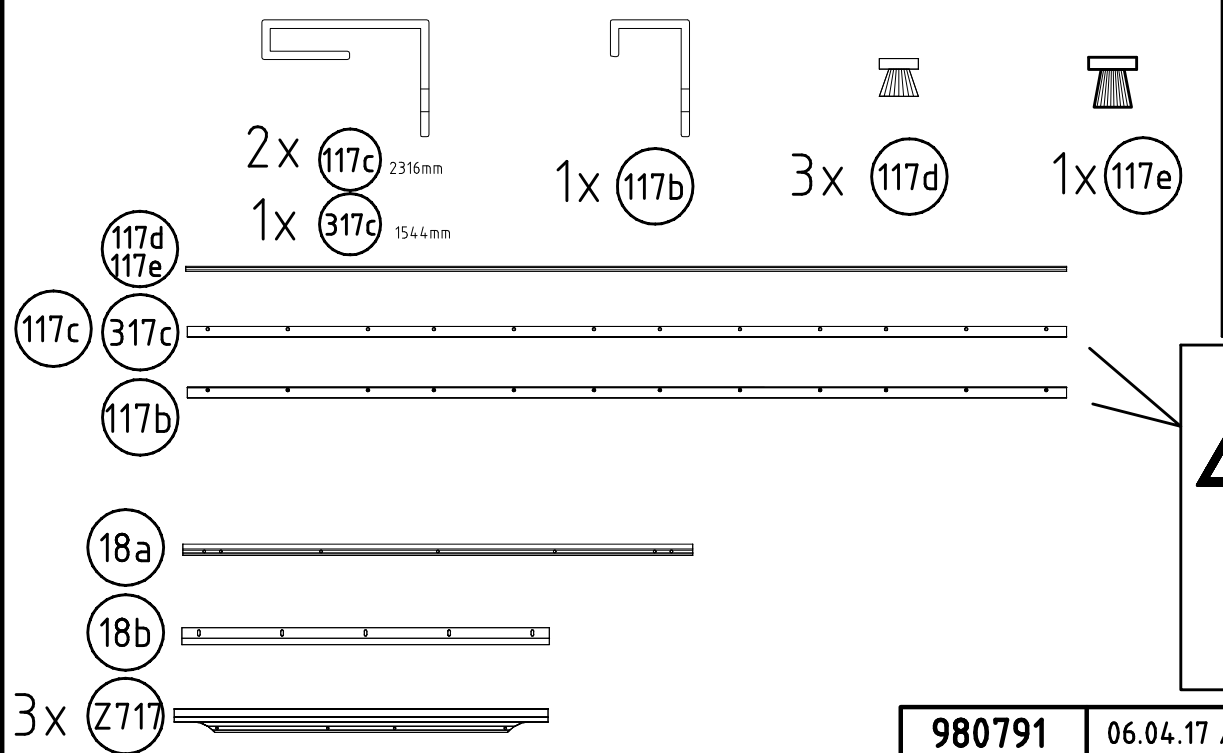
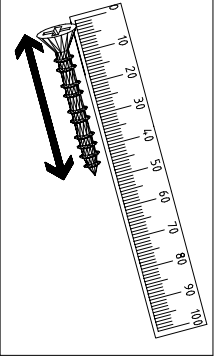
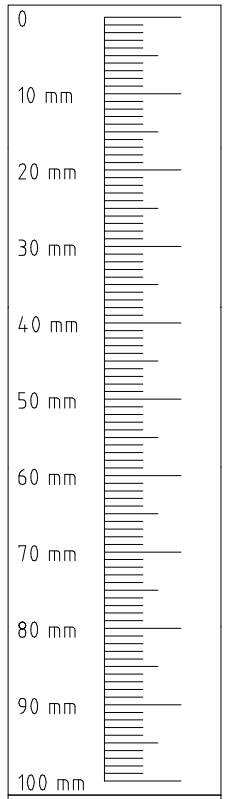
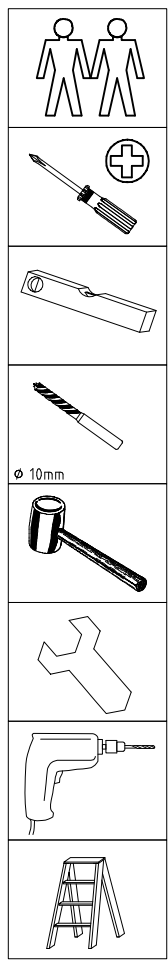
1x **FPK**
1453/1940/2430/2920/3408
MST

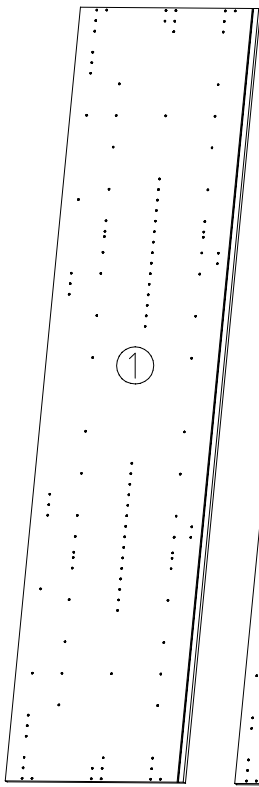
1x **SWT-LP**
1453/1940/2430/2920/3410 SY

| | |
|---|----|
|  SWT 1 | 2x |
|  SWT 2 | 1x |
|  SWT 8 | 1x |

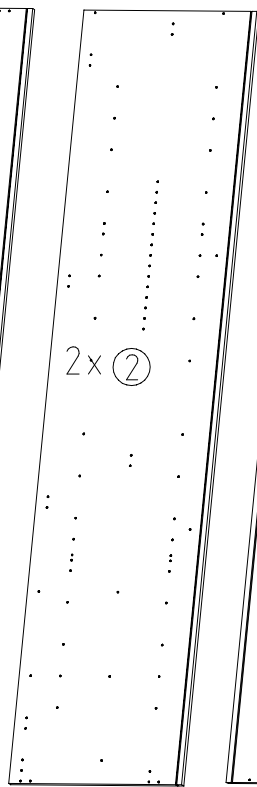
| | |
|---|----|
|  SWT-ST | 2x |
|  SWT-SM5 M4 x 13 mm | 2x |
|  GH13 121 xxx | 6x |
|  G43 M4 x 10 mm | 6x |
|  SWH 6 | 2x |
|  SWH 7 | 2x |
|  G1 3,5 x 15 mm | 1x |

| | |
|---|-----|
|  SWH-SKL L | 1x |
|  SWH-SKR R | 1x |
|  G24 3,5 x 22 mm | 7x |
|  G14 3,5 x 35 mm | 2x |
|  SP13 4 X 13mm | 73x |
|  T2 6,3 x 10,5 mm | 24x |
|  H5 111 030 | 5x |

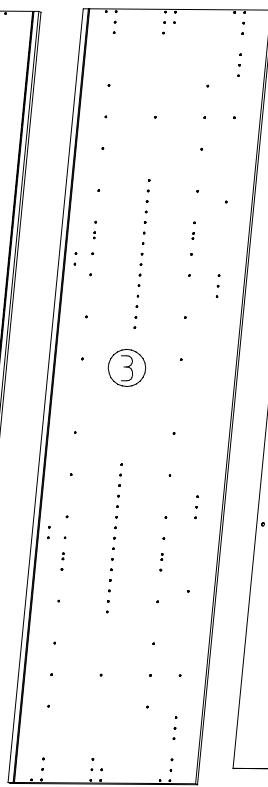




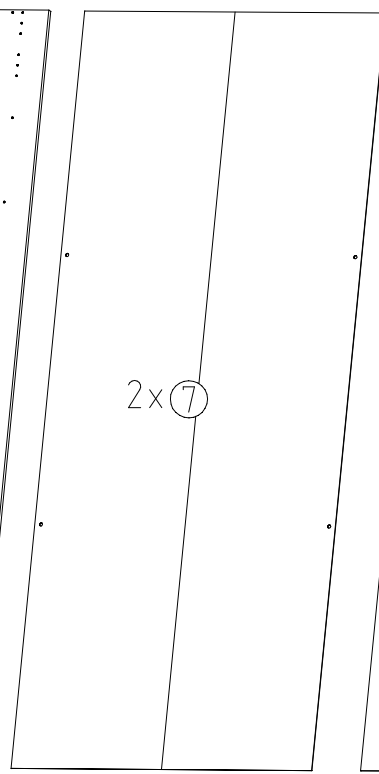
2352x577x15



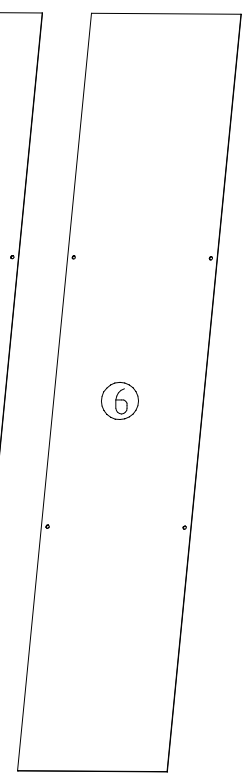
2352x560x15



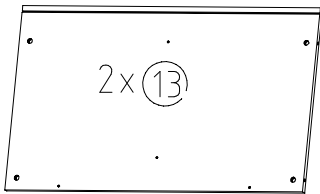
2352x607x15



2303x973x2,5

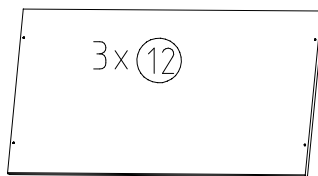


2303x484x2,5



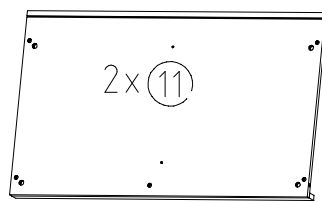
2x 13

964x560x15



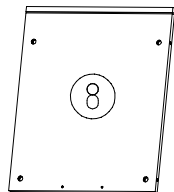
3x 12

964x500x18



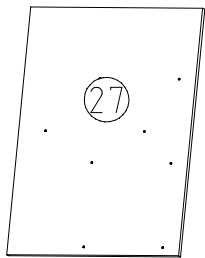
2x 11

964x560x47



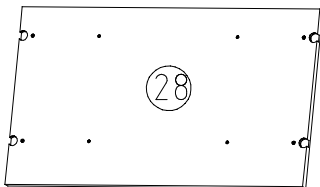
8

475x560x15



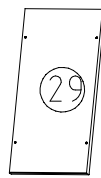
27

753x557x15



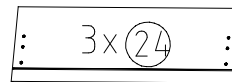
28

964x540x22



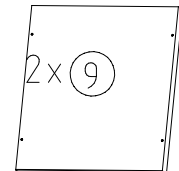
29

250x500x18



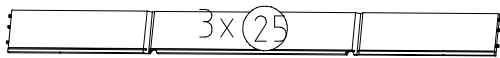
3x 24

717x227x15



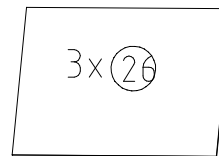
2x 9

475x500x18



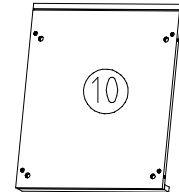
3x 25

450/675/450x126x12



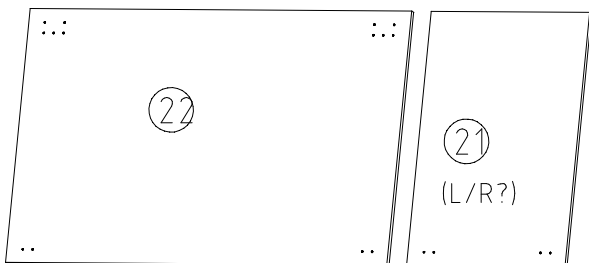
3x 26

661x449x2,5



10

475x560x47



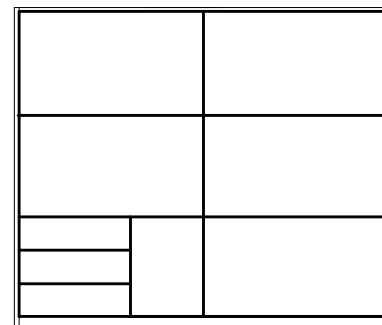
22

5x 1235x772x15

21

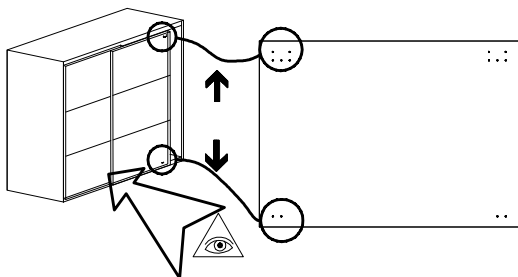
(L/R?)

513x772x15

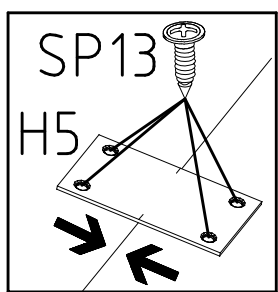
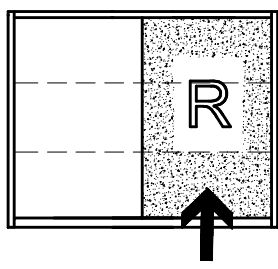


L

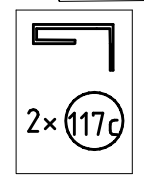
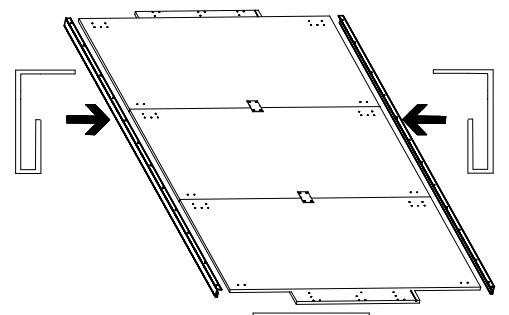
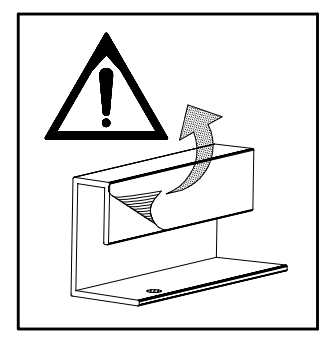
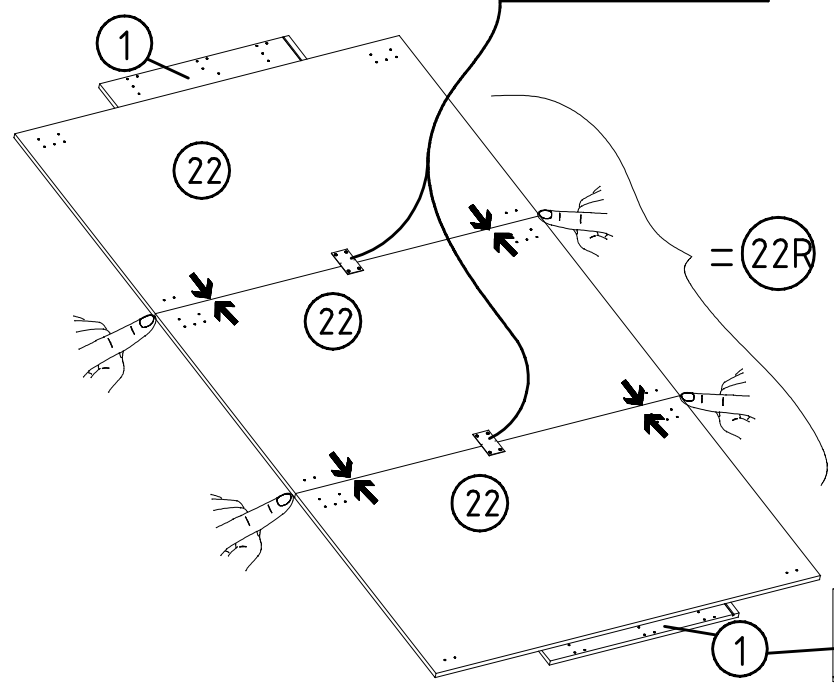
R



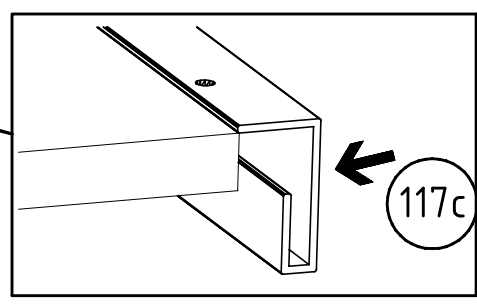
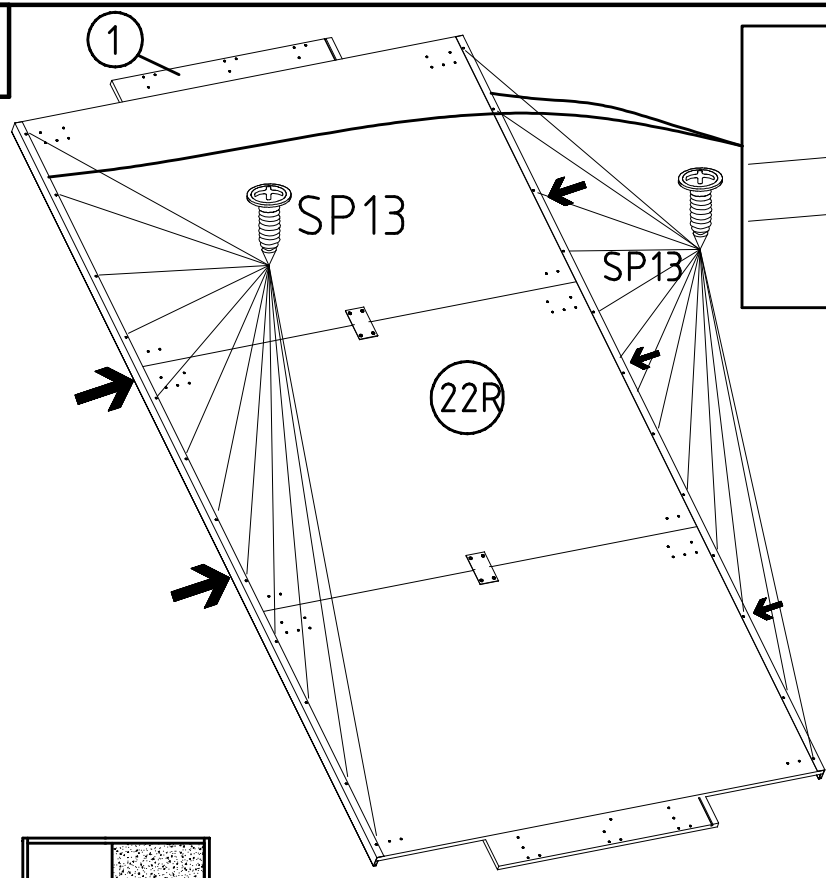
1



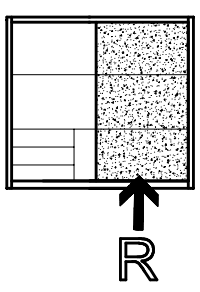
| | | | |
|--|---------------------------|---------------------|--|
| | H5 4 X 13mm 121 122 | SP13 121 122 | |
|--|---------------------------|---------------------|--|



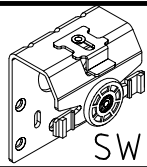
2



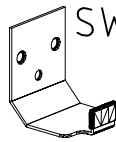
| | | |
|--|-----------------------------|--|
| | SP13 4 X 13mm 121 122 | |
| | | |



3



SWT 1



SWH 6

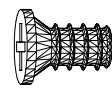
4 X 13mm

SP13

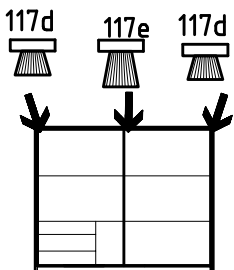
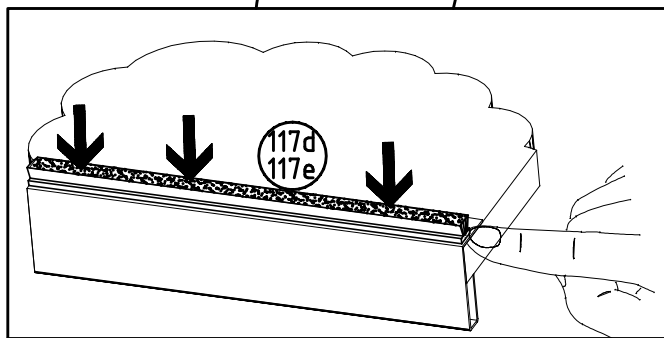
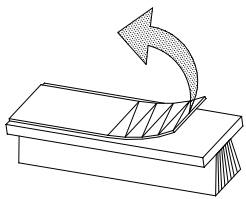
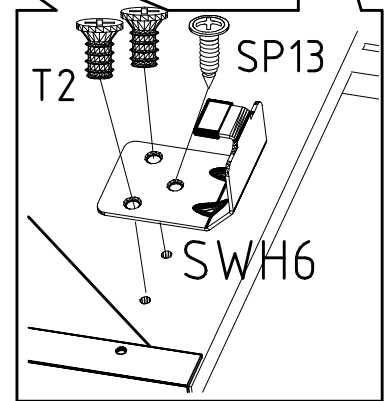
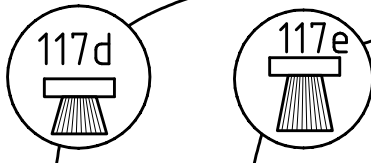
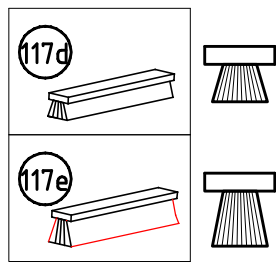
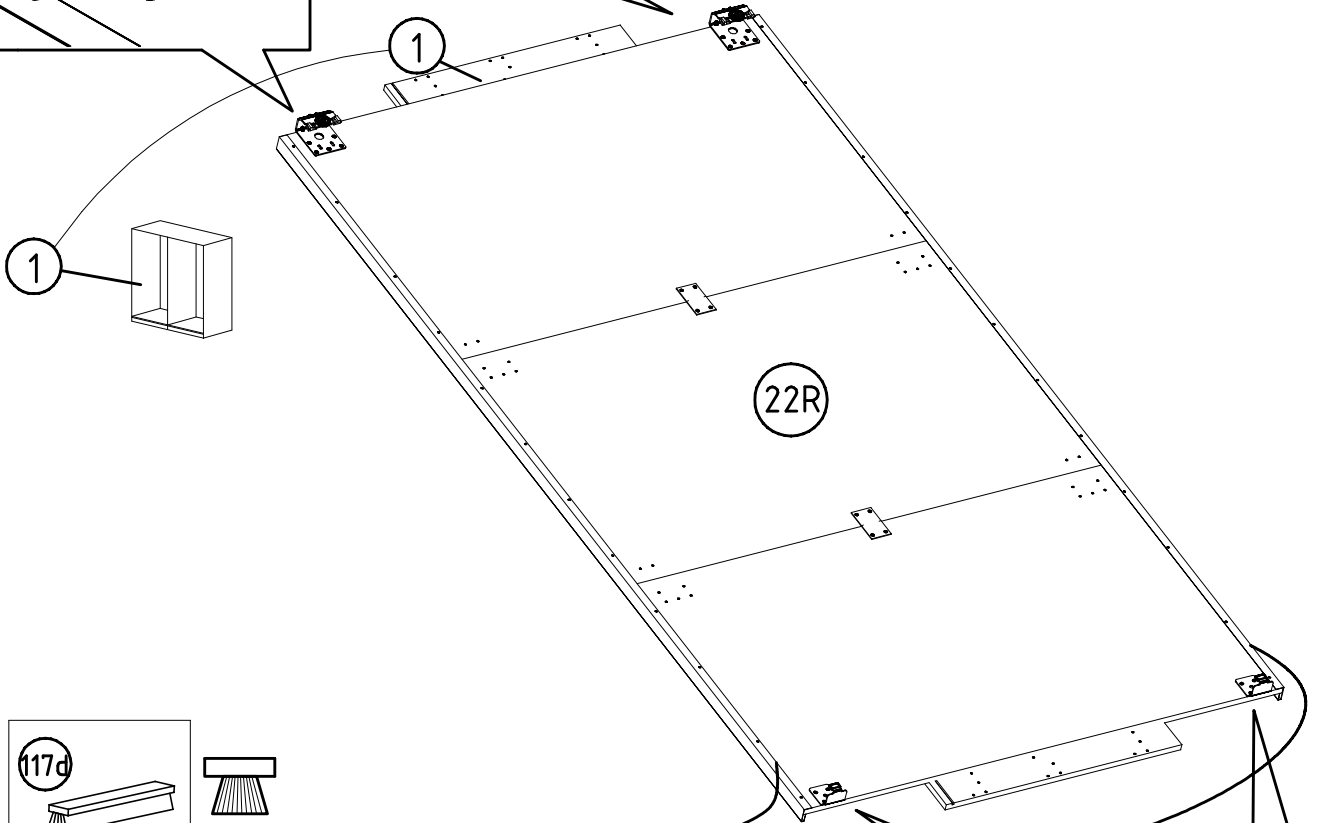
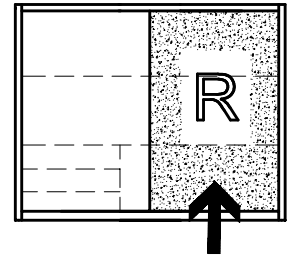
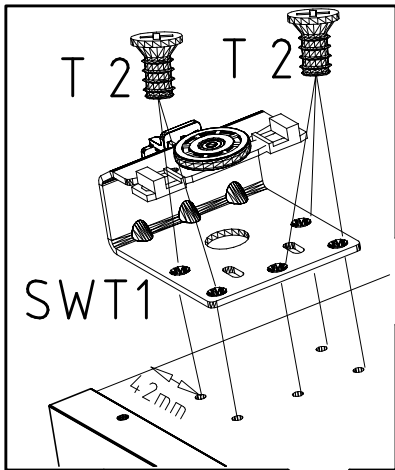
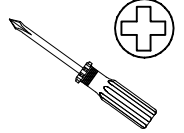


121 122

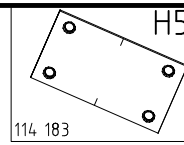
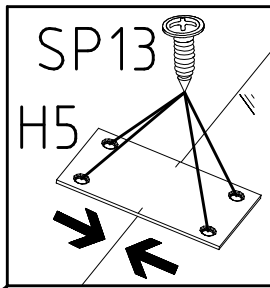
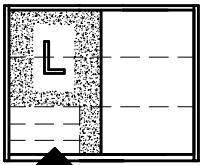
6,3 x 10,5 mm T2



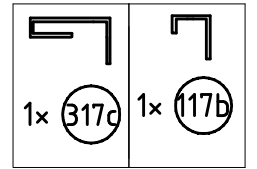
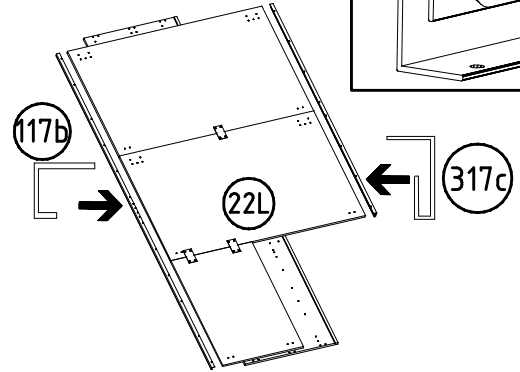
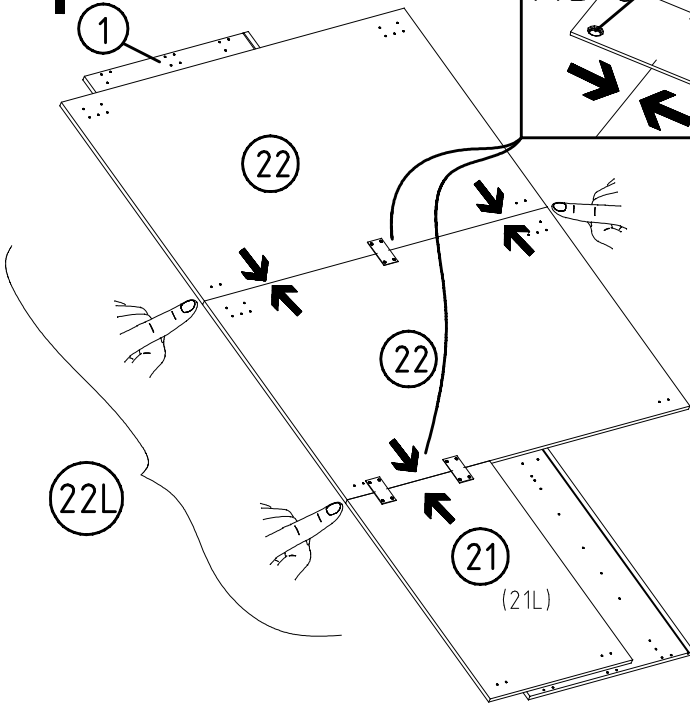
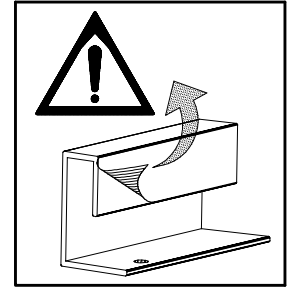
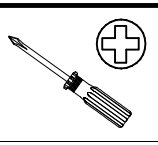
111 030



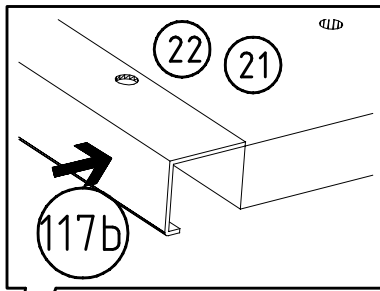
4



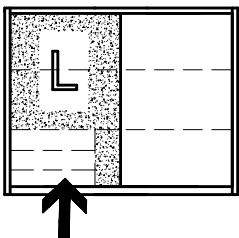
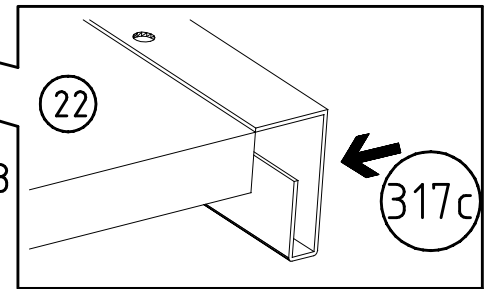
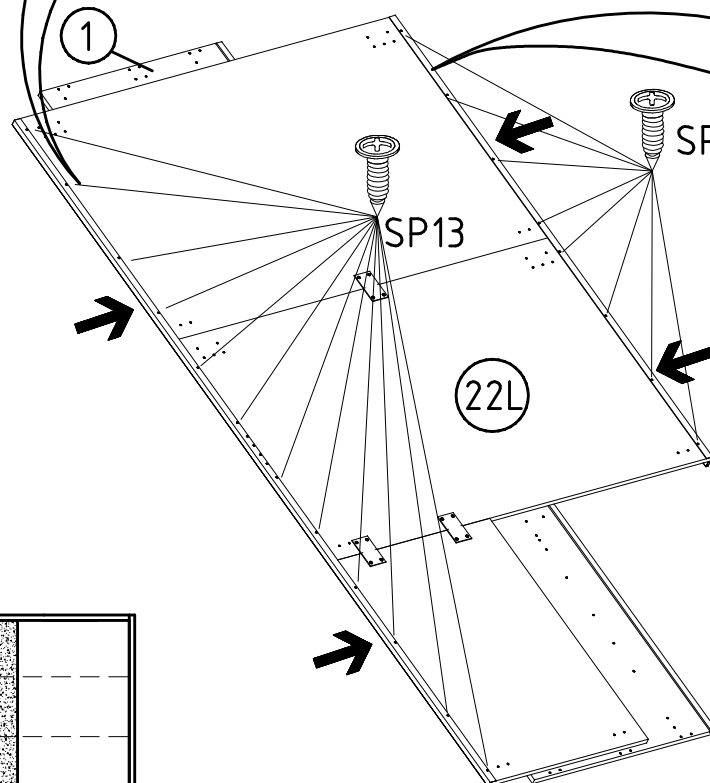
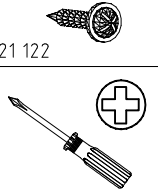
H5
4 X 13mm
SP13
121 122



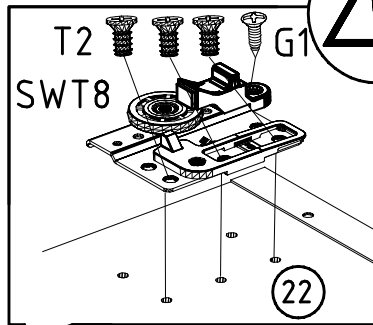
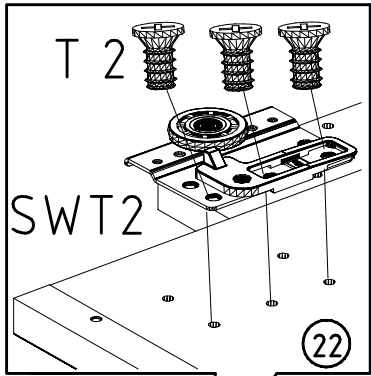
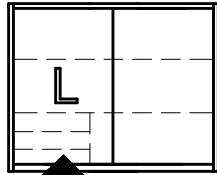
5



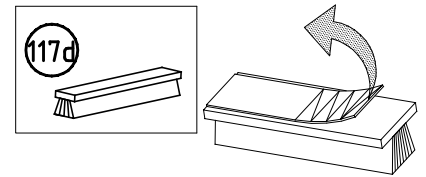
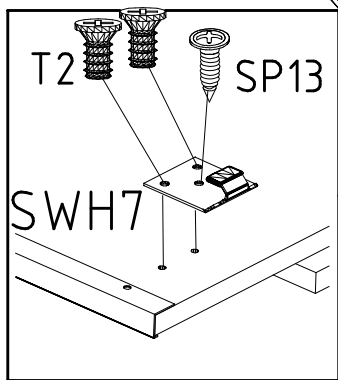
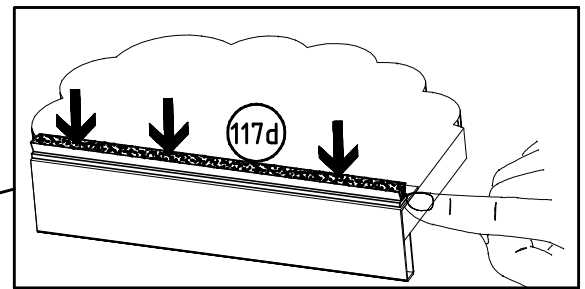
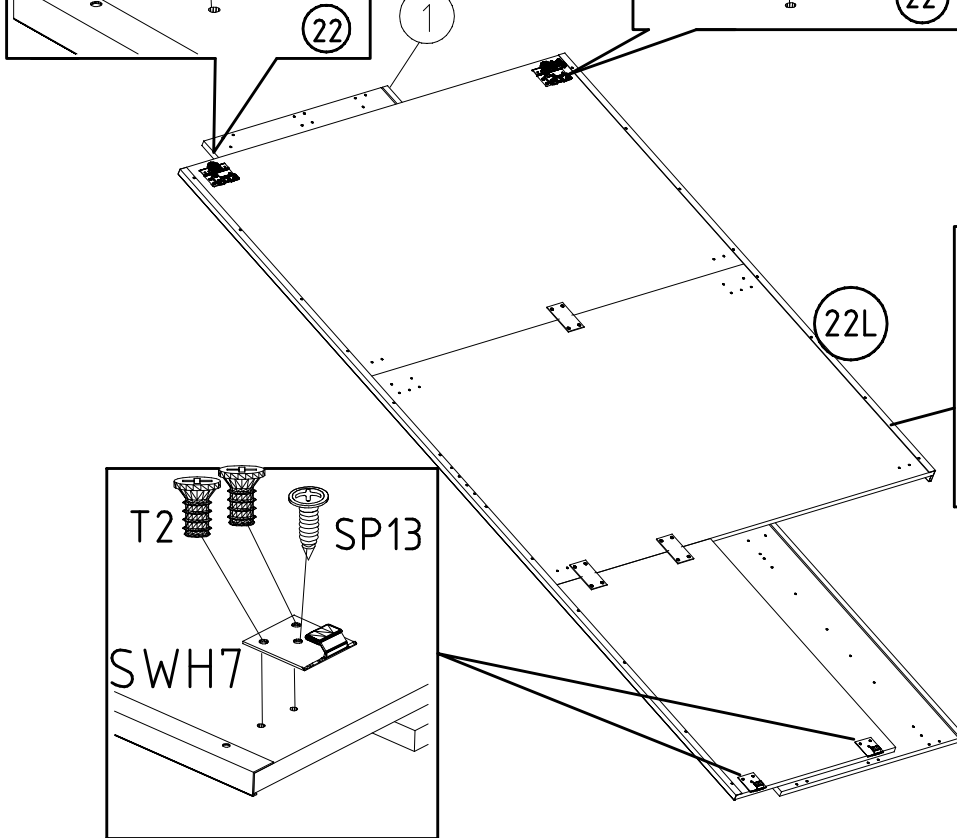
SP13
4 X 13mm
121 122



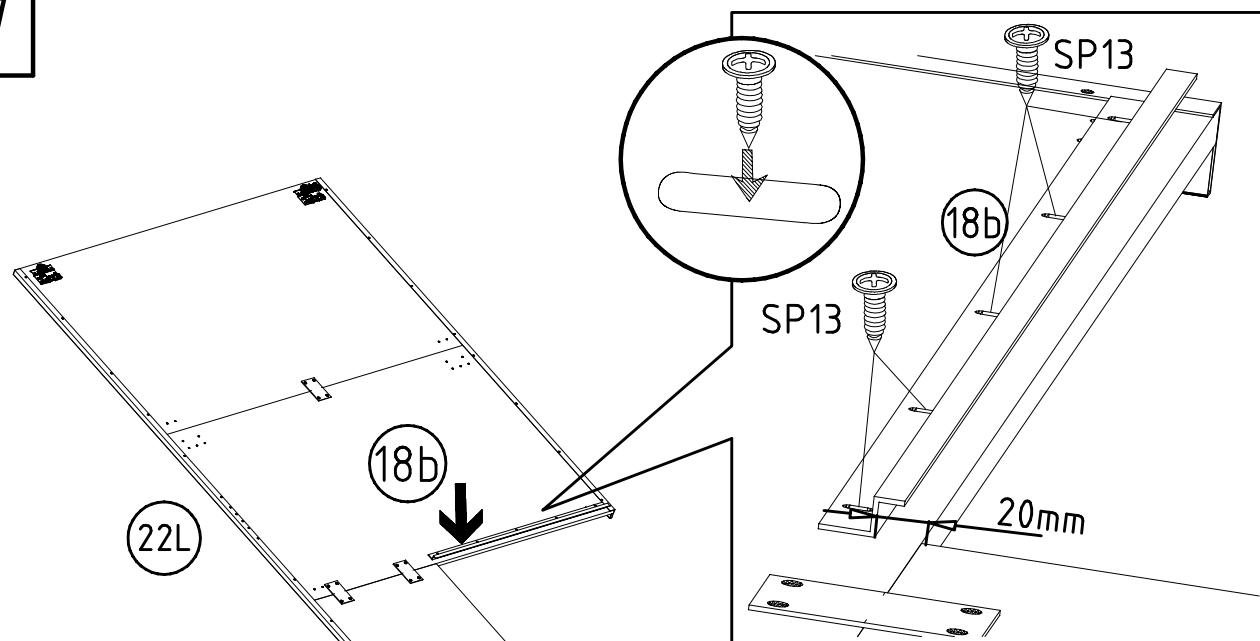
6



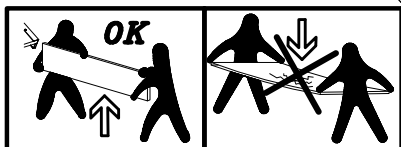
| | |
|--|-------------------------------------|
| <p>SWT2</p> | <p>SWT8</p> |
| <p>6,3 x 10,5 mm T2</p> <p>111 030</p> | <p>SWH 7</p> |
| <p>3,5 x 15 mm G1</p> <p>121 370</p> | <p>4 X 13mm SP13</p> <p>121 122</p> |
| | |



7



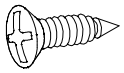
| |
|-------------------------------------|
| <p>4 X 13mm SP13</p> <p>121 122</p> |
| |



8

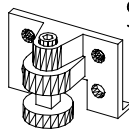
3,5 x 15 mm

G1



121 370

S0



111 300

A1

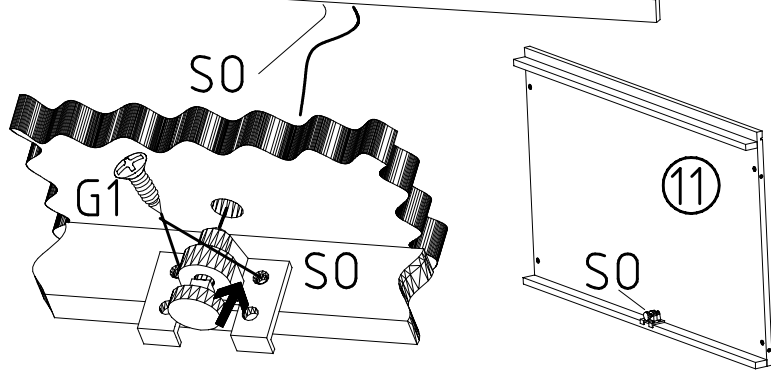
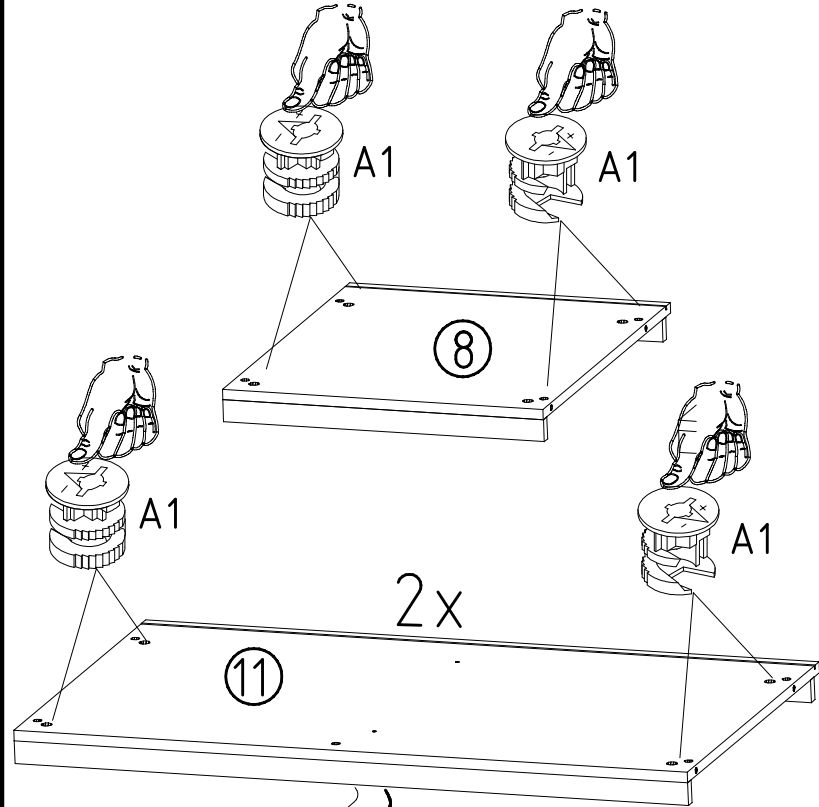


111 xxx

10



F3



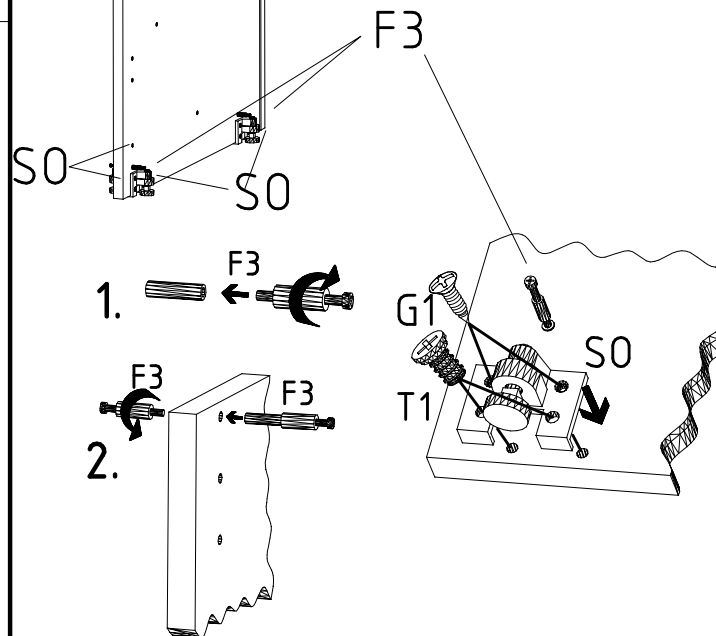
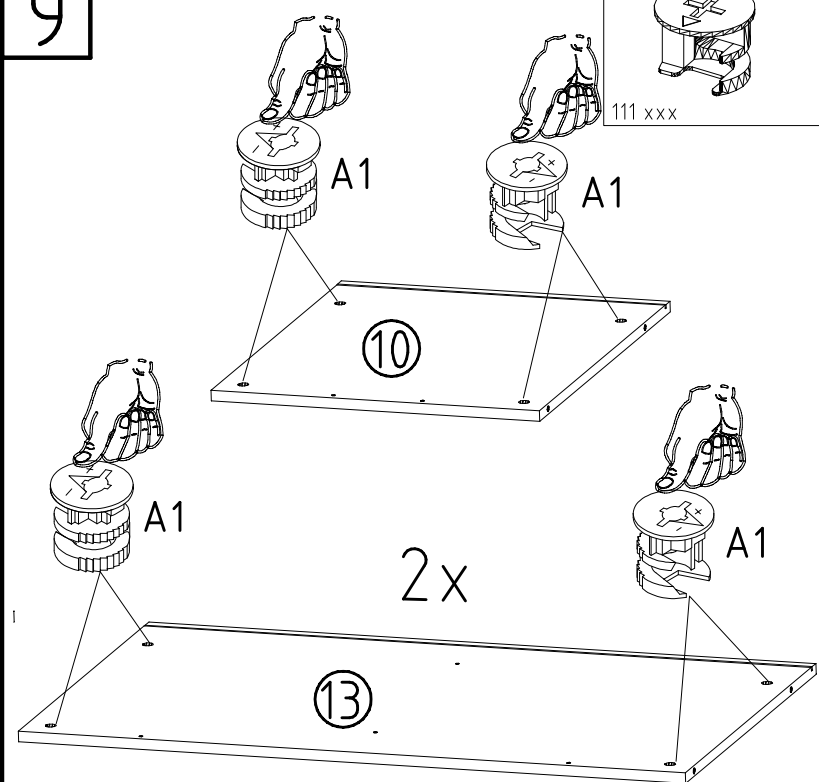
Parts list for step 10:

- Screwdriver (indicated by a plus sign icon)
- Screw T1: 6,3 x 10,5 mm
- Screw G1: 3,5 x 15 mm
- Bracket S0: 111 300
- Pins F3

9

A1

111 xxx



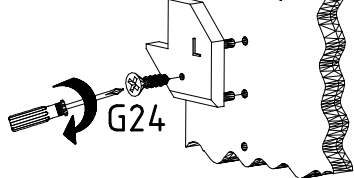
980791

06.04.17 / 19.05.17

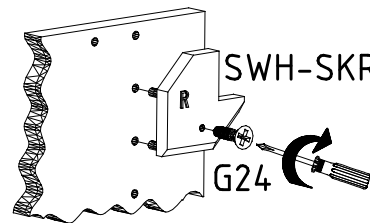
05 17

8/23

SWH-SKL



SWH-SKR

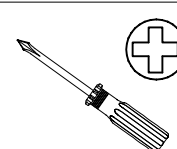
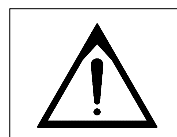


577

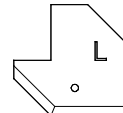
607

SWH-SKL + G24

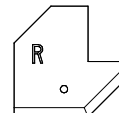
SWH-SKR + G24



SWH-SKL



SWH-SKR

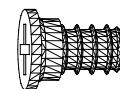


3,5 x 22 mm G24



121 004

6,3 x 10,5 mm T1

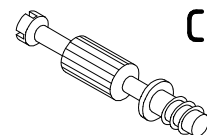


112 055

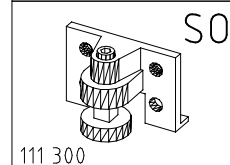
3,5 x 15 mm G1



121 370



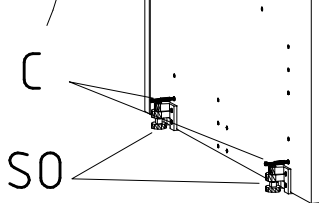
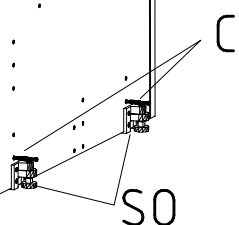
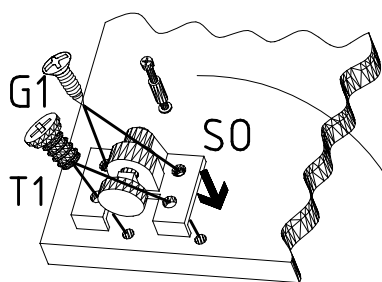
111 103



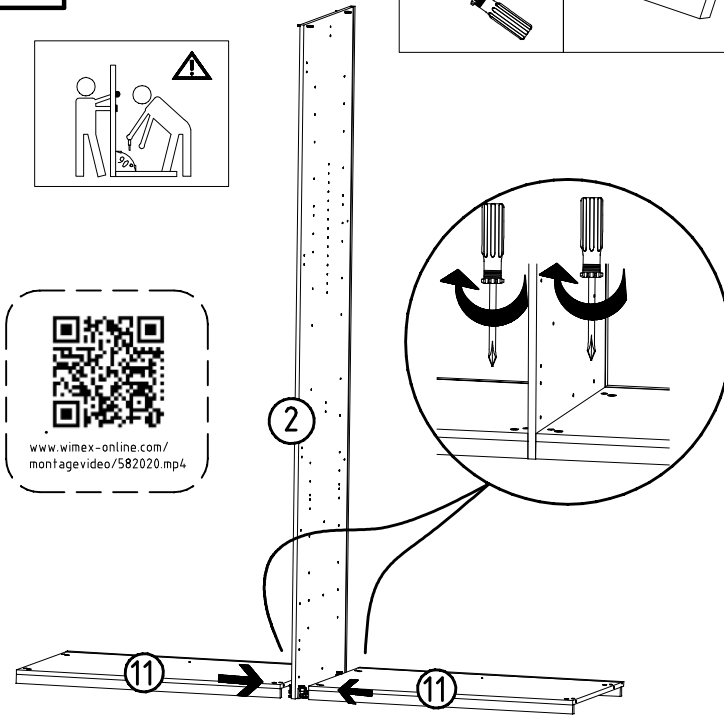
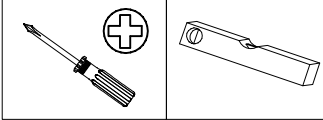
111 300

1

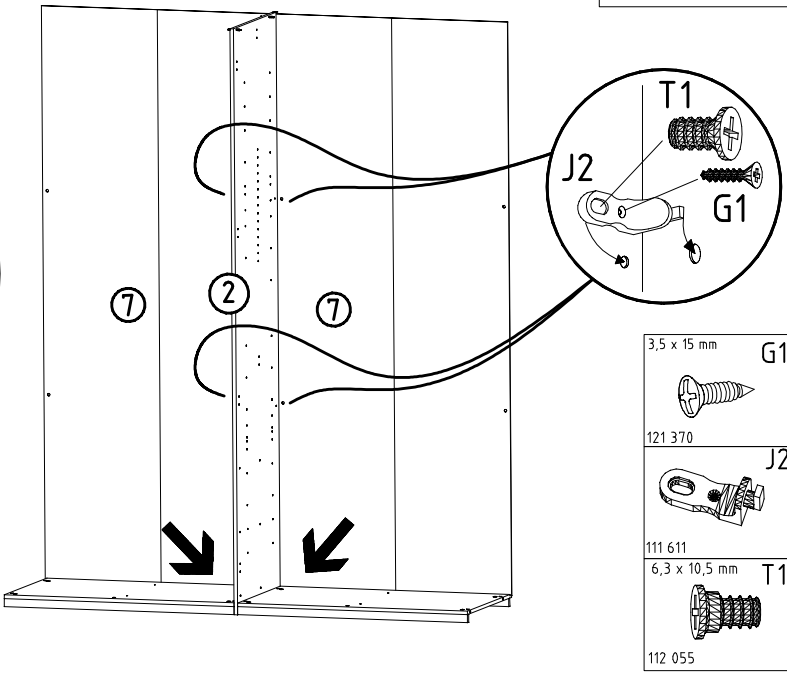
3



12



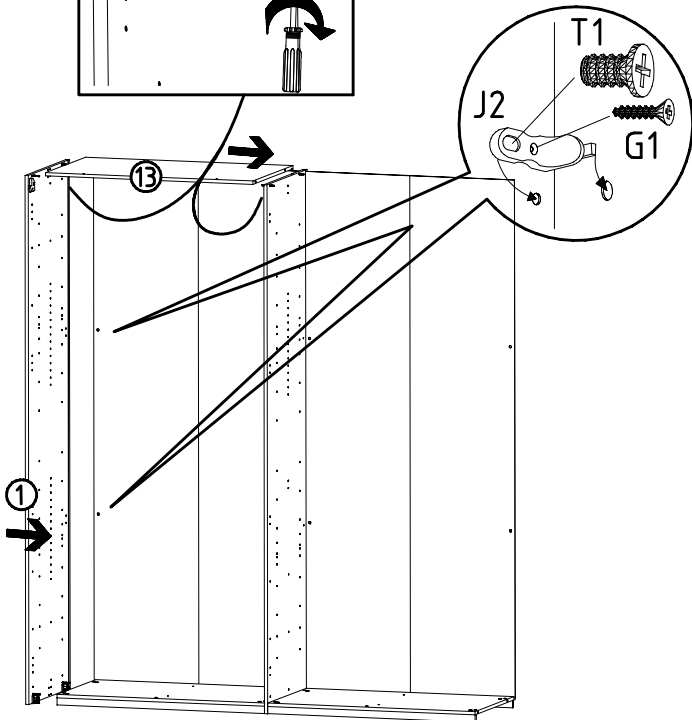
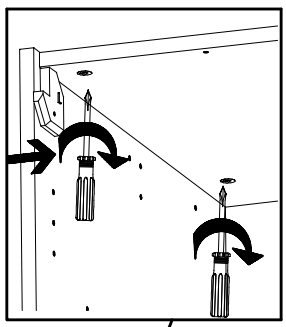
13



- 3,5 x 15 mm G1
- 121 370
- 111 611
- 6,3 x 10,5 mm T1
- 112 055

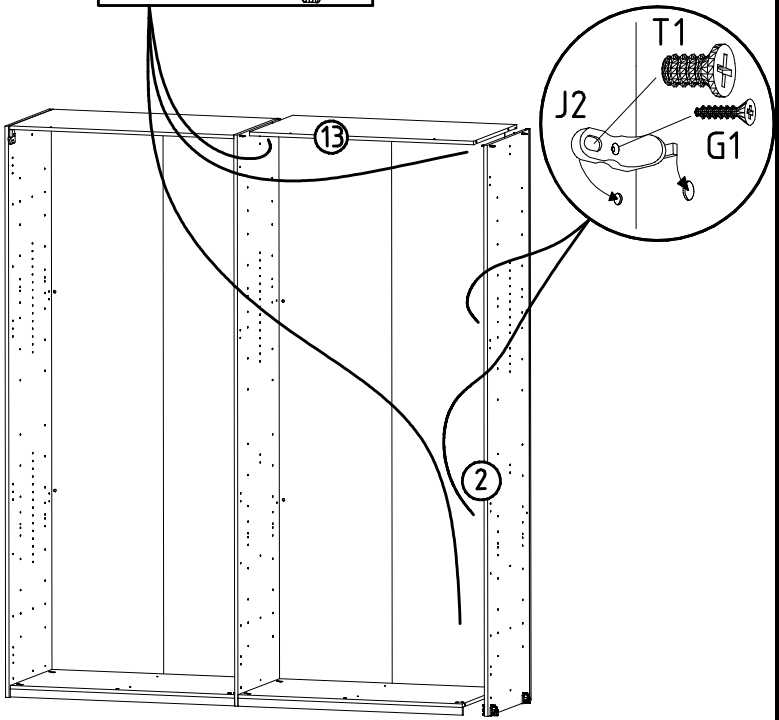
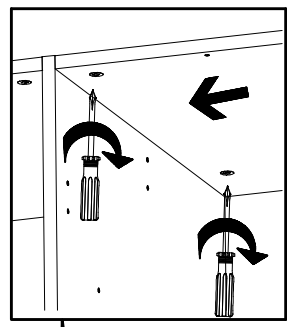
14

- 3,5 x 15 mm G1
- 121 370
- 6,3 x 10,5 mm T1
- 112 055
- 111 611

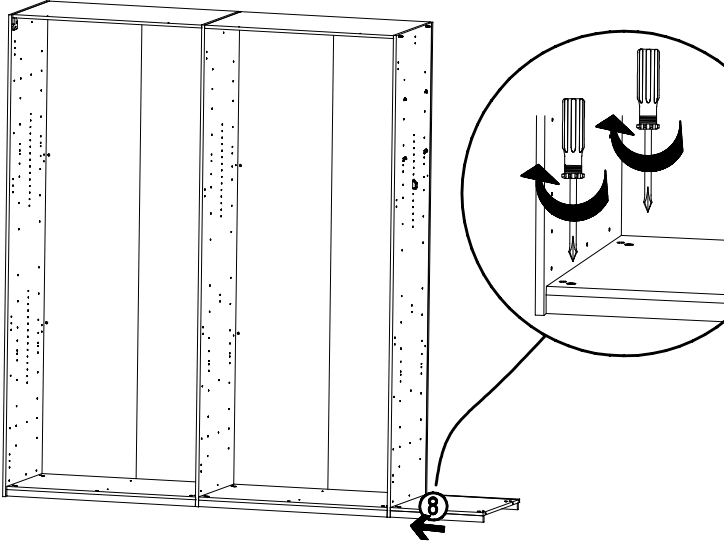
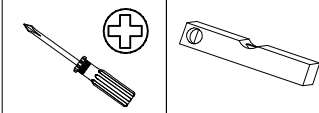


15

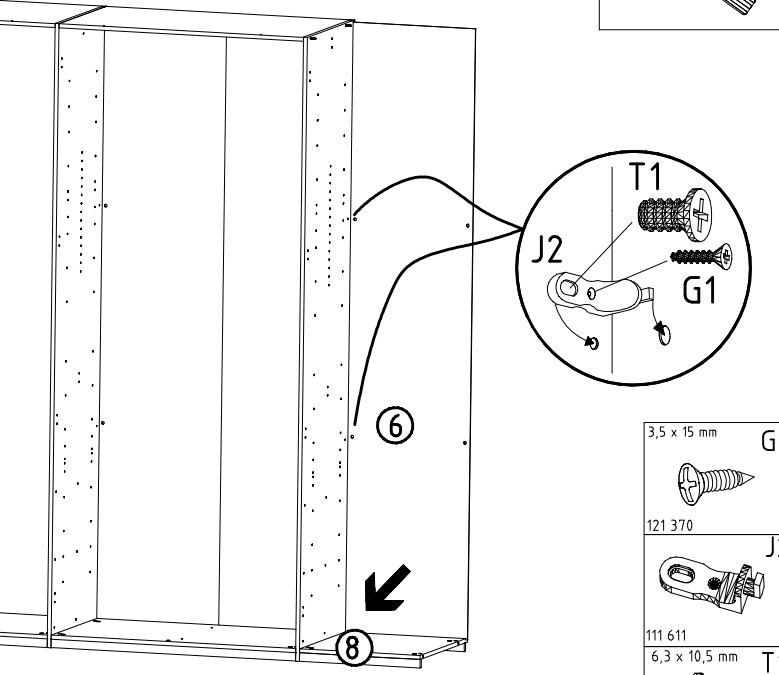
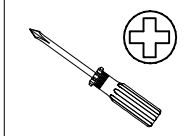
- 3,5 x 15 mm G1
- 121 370
- 6,3 x 10,5 mm T1
- 112 055
- 111 611



16

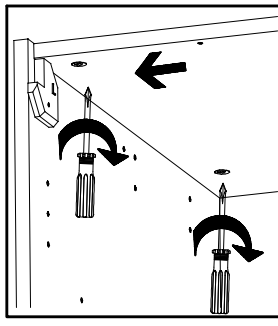


17

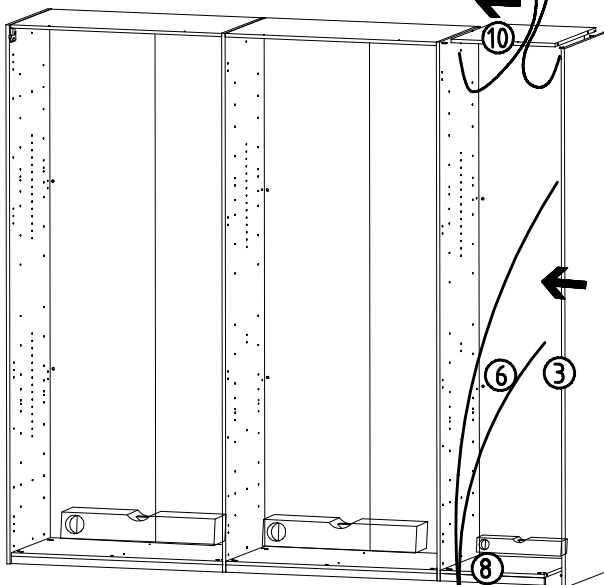


- 3,5 x 15 mm G1
- 121 370
- J2
- 111 611
- 6,3 x 10,5 mm T1
- 112 055

18

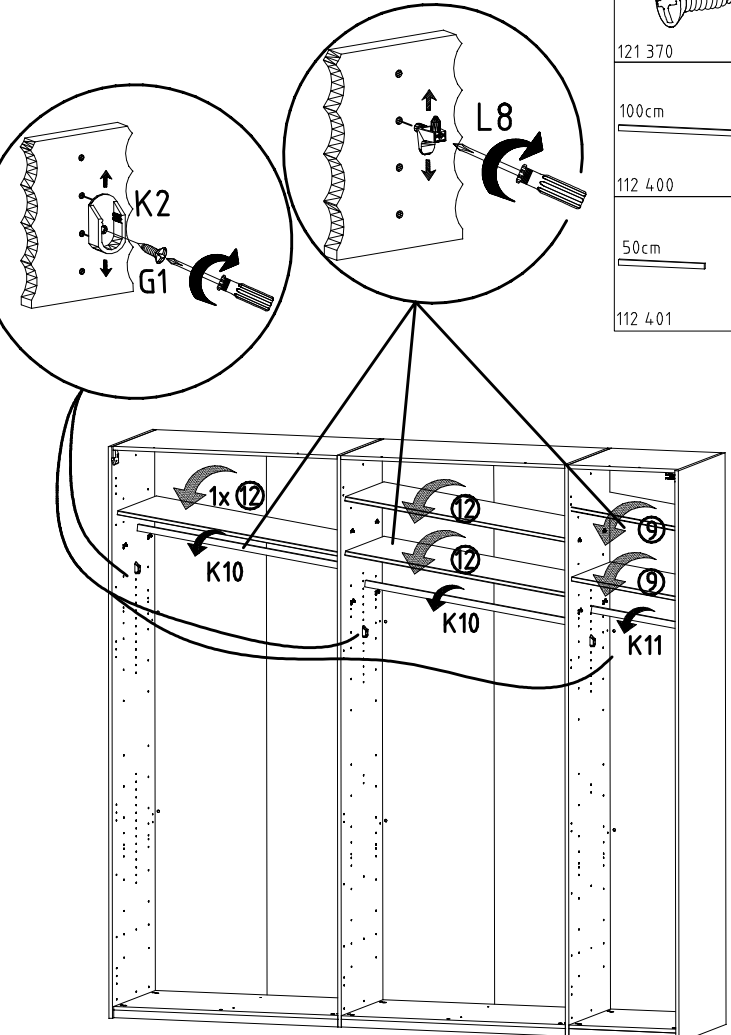


- 3,5 x 15 mm G1
- 121 370
- J2
- 111 611
- 6,3 x 10,5 mm T1
- 112 055

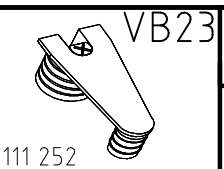
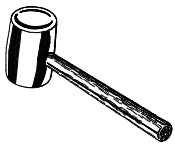


19

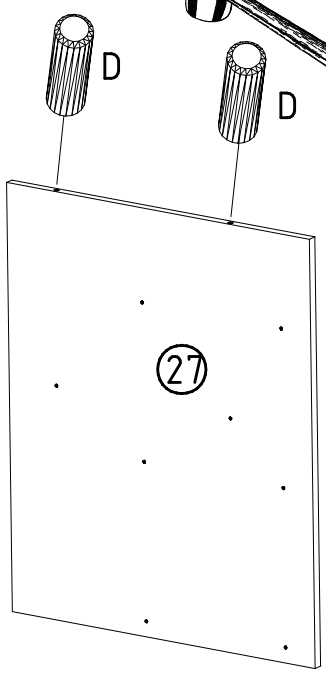
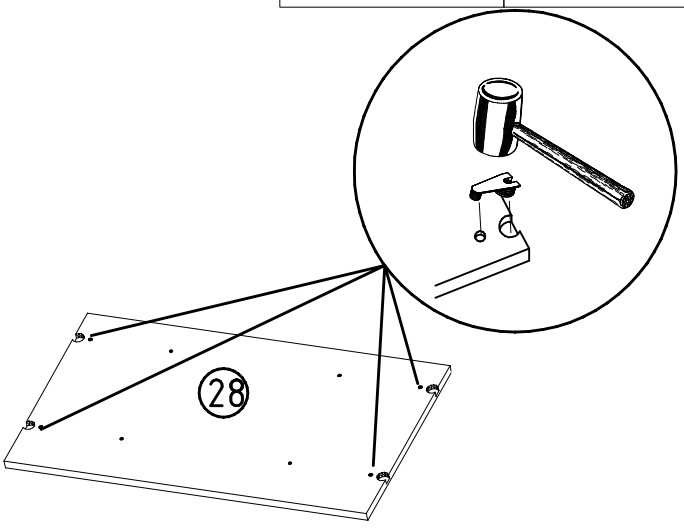
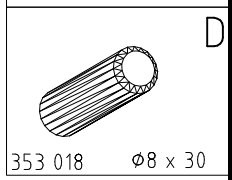
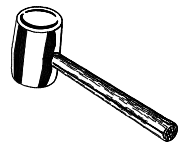
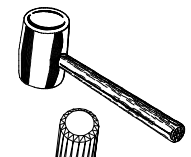
- 111 607
- L8
- K2
- 117 002
- 3,5 x 15 mm G1
- 121 370
- K10
- 100cm
- 112 400
- K11
- 50cm
- 112 401



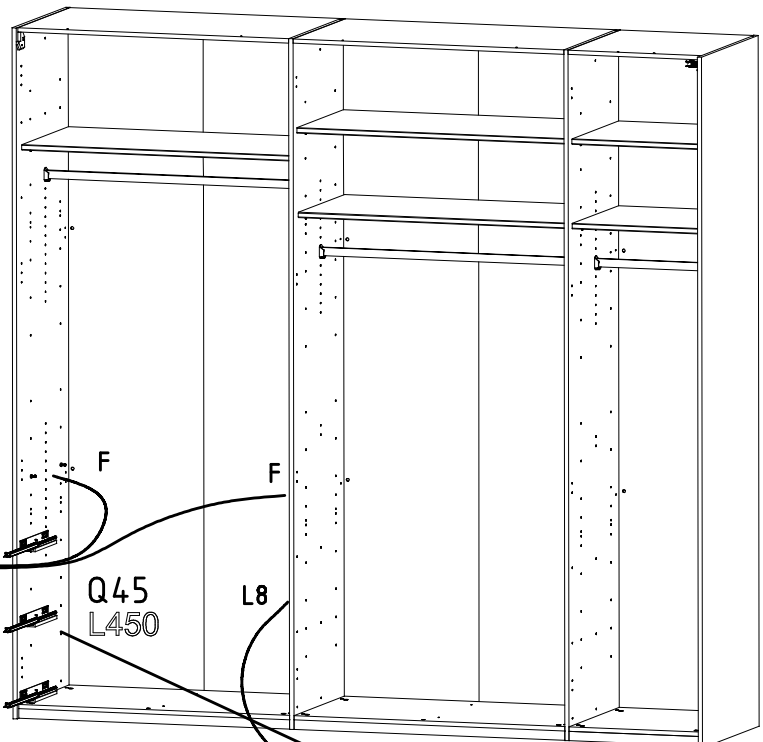
20



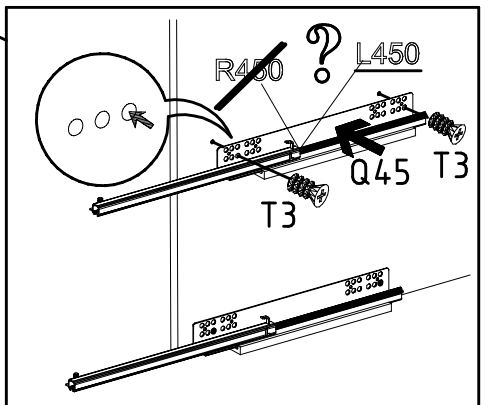
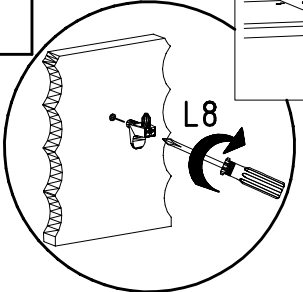
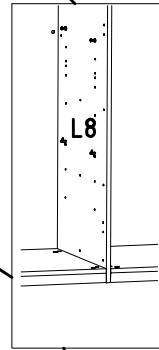
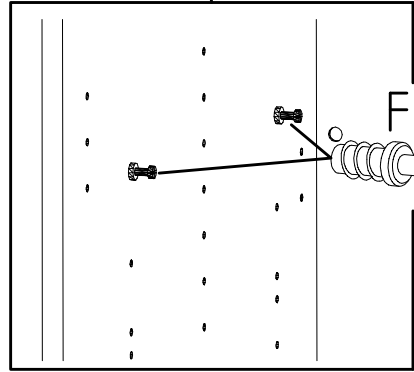
21



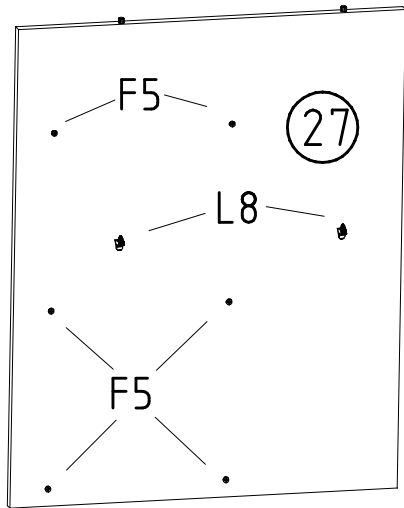
22



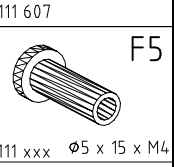
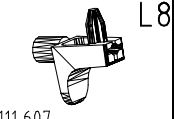
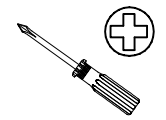
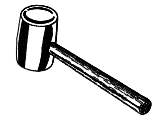
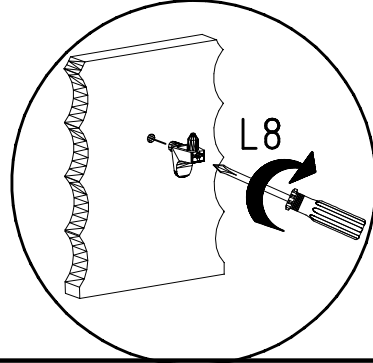
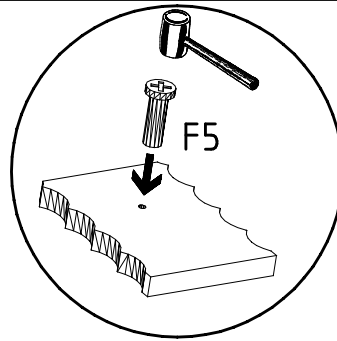
-
- Q45
- 112 220/1 M6 x 10 T3
- 112 616 F
- 111 229 L8
- 111 607



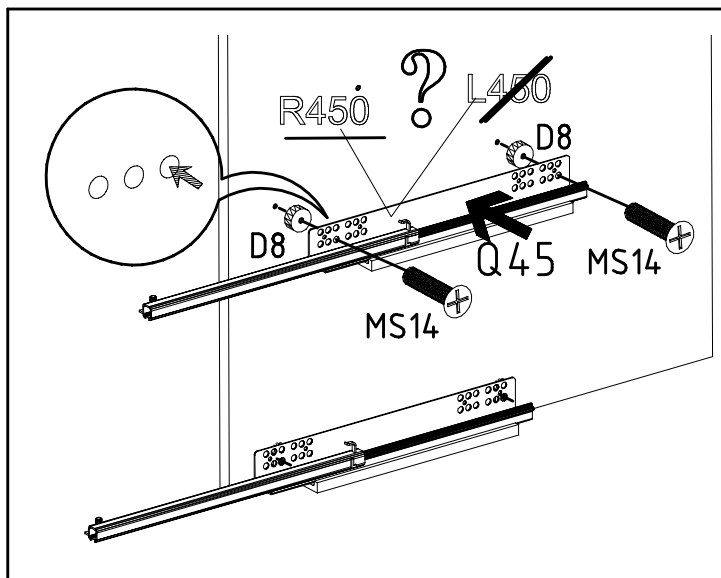
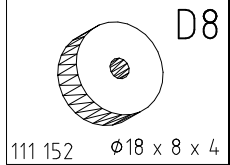
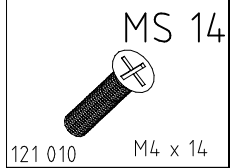
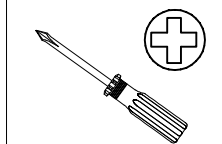
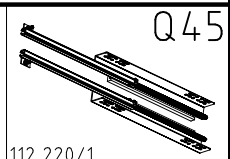
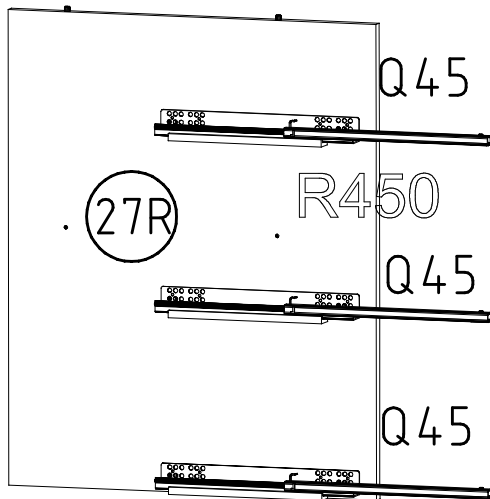
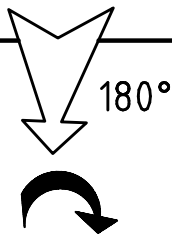
23



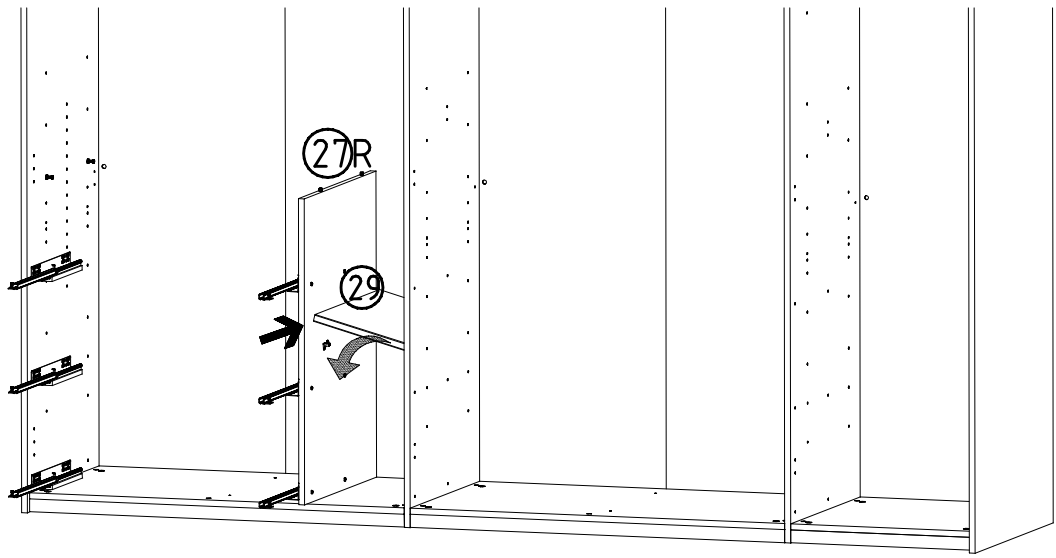
=27R



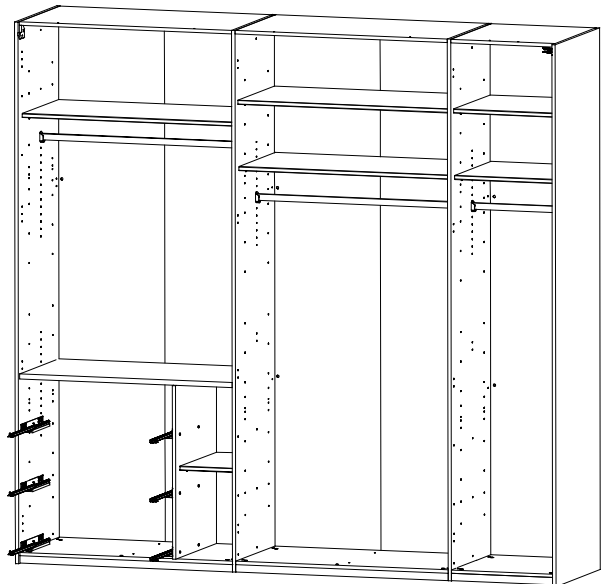
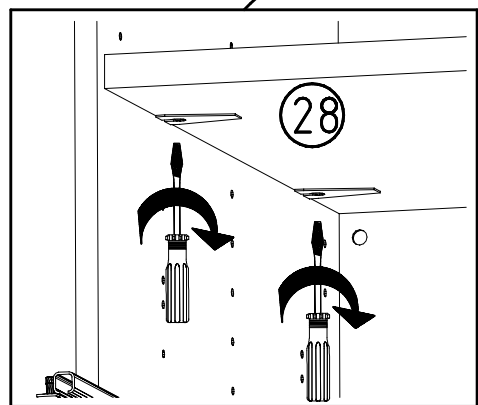
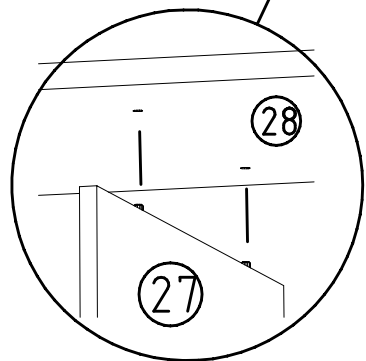
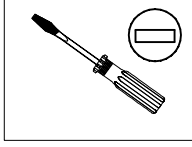
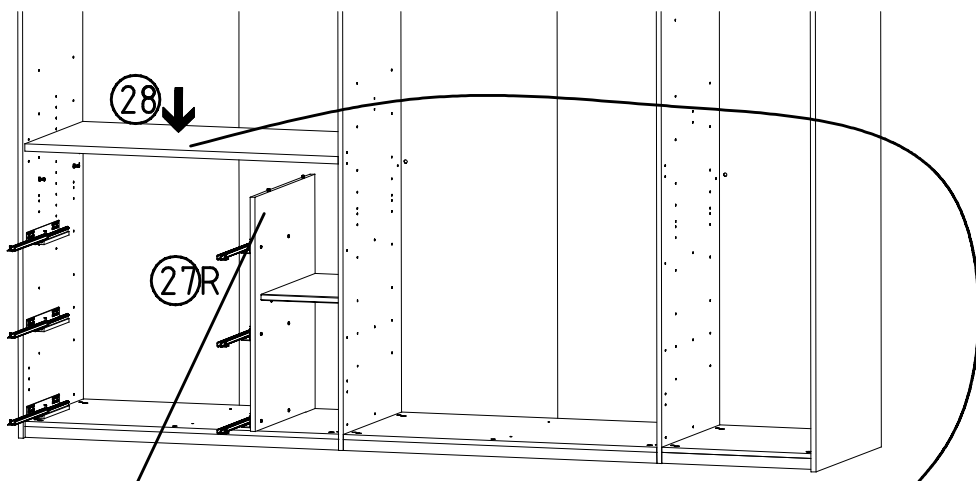
24

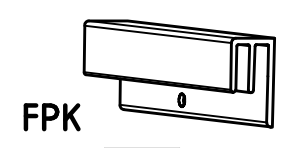
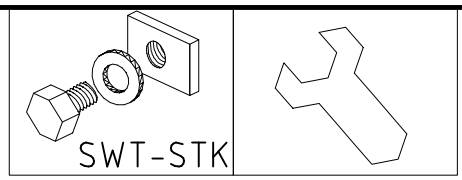


25

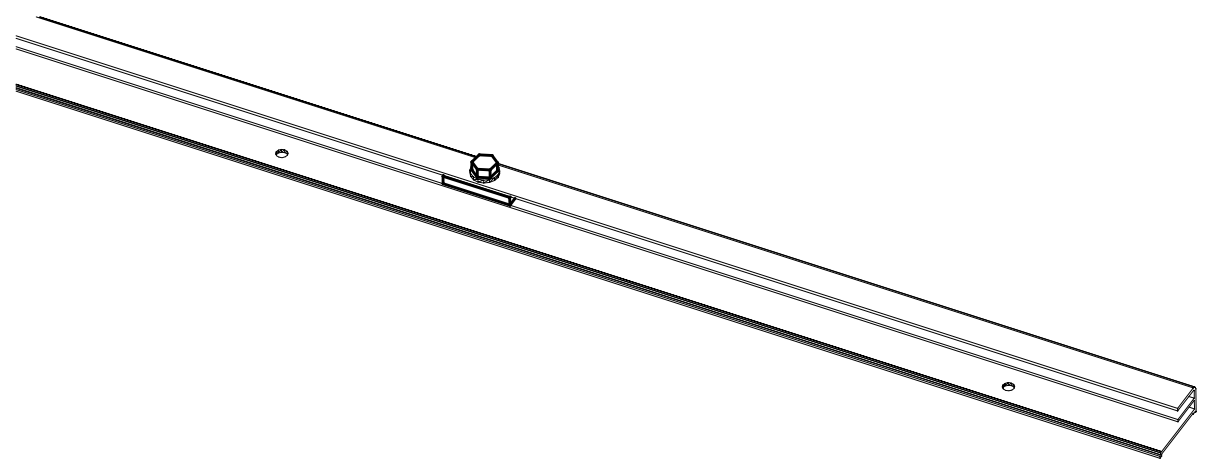
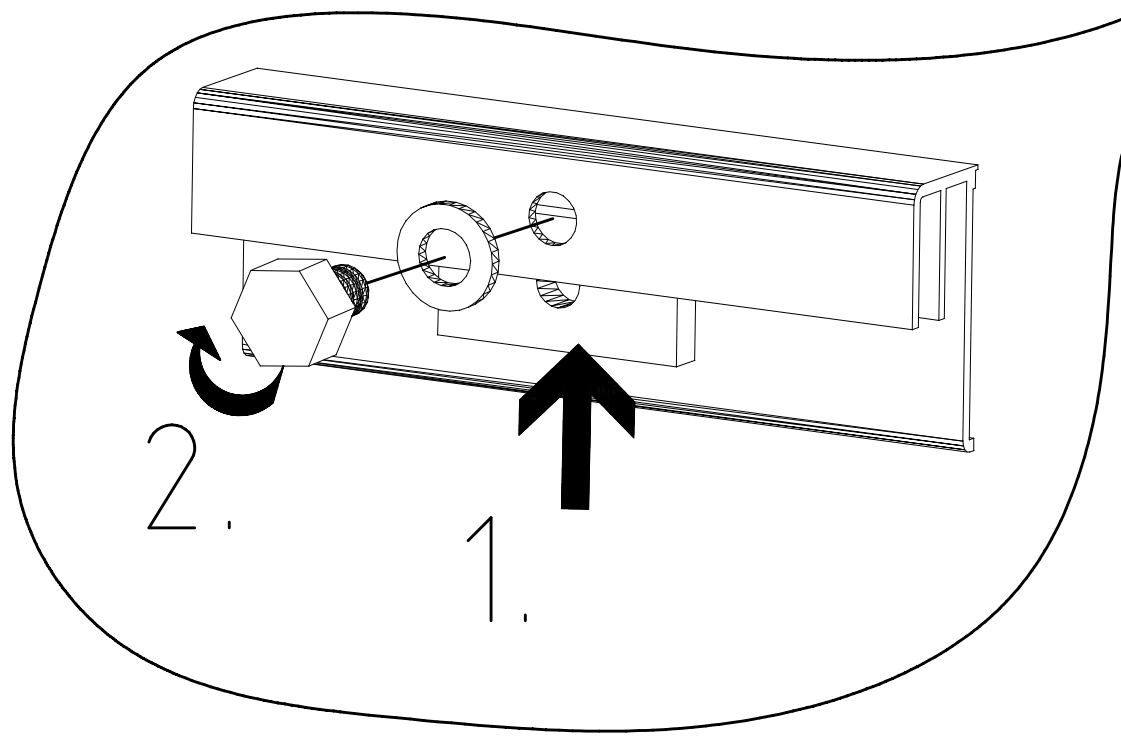
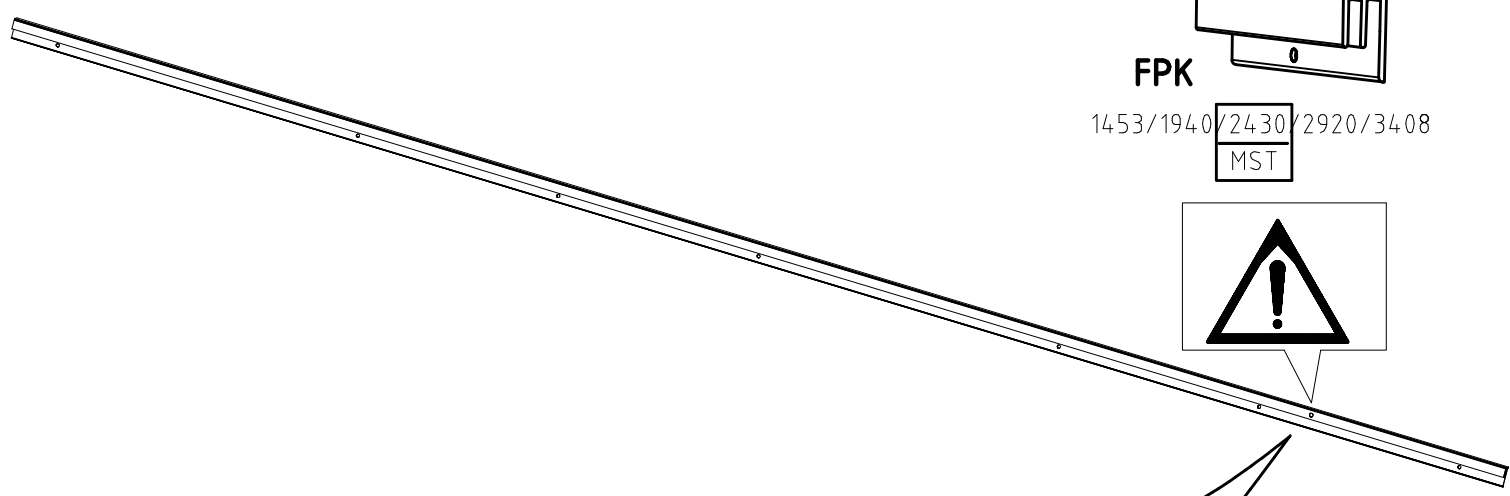


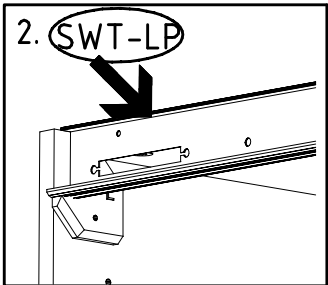
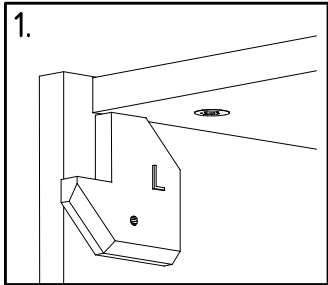
26



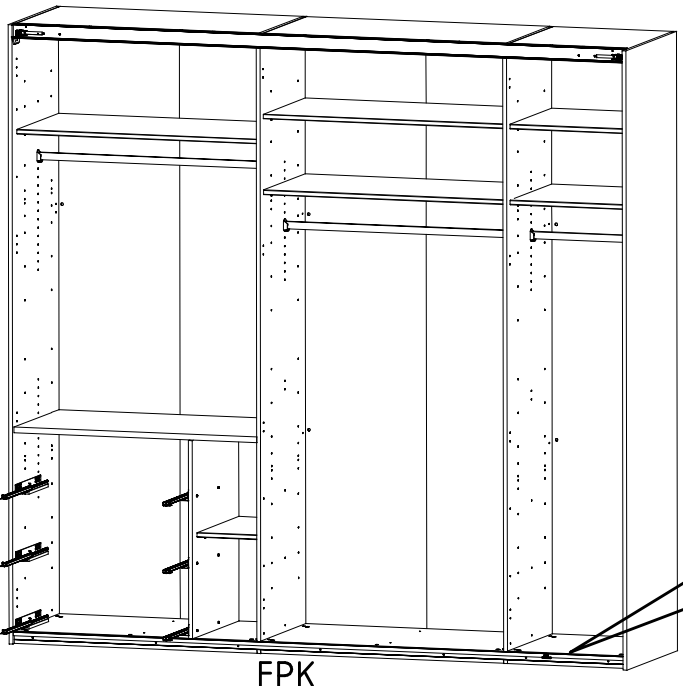
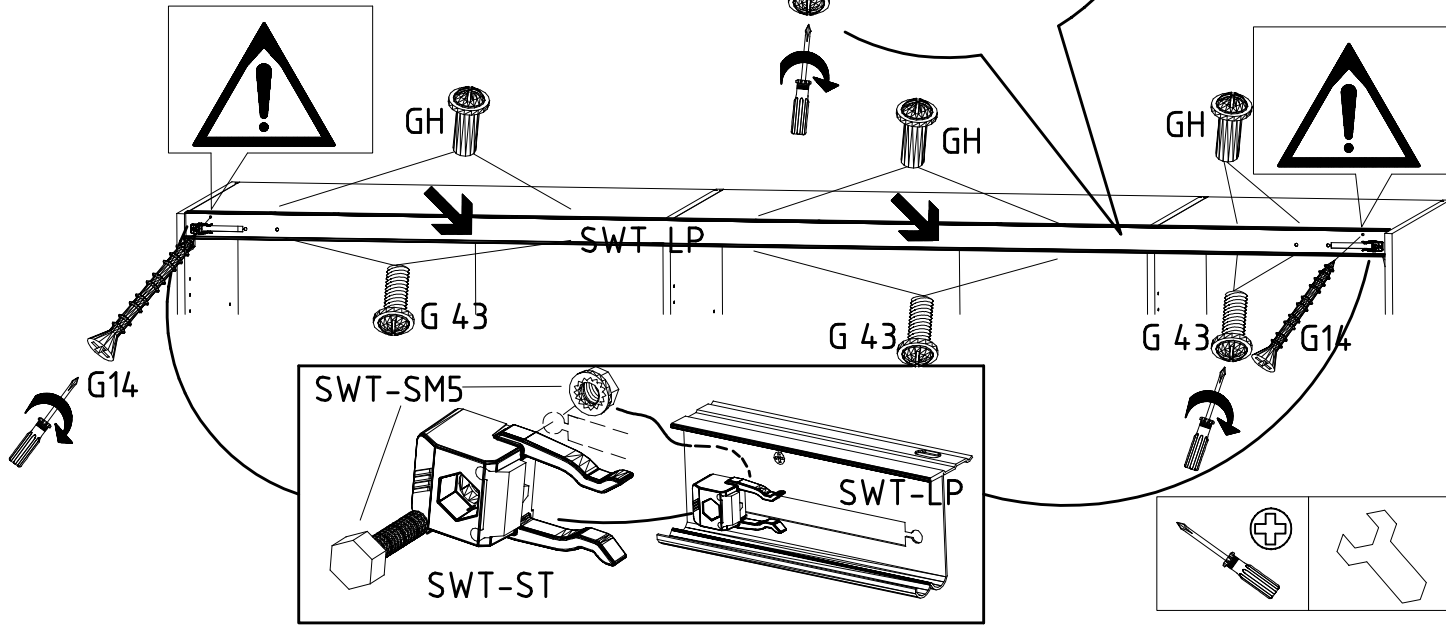
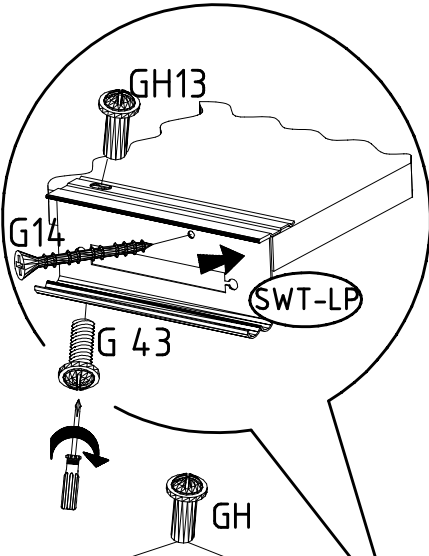
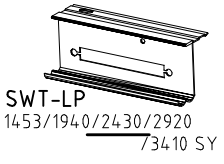


1453/1940/2430/2920/3408
MST

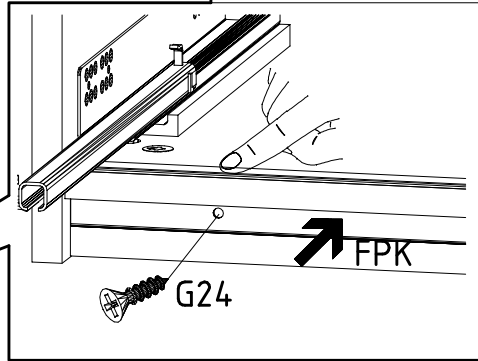




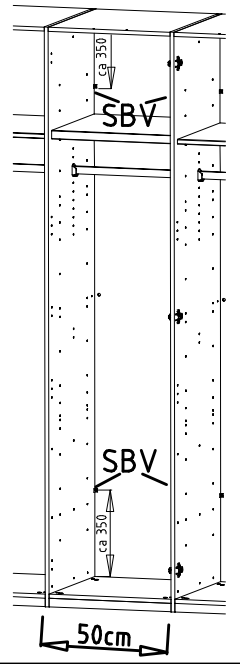
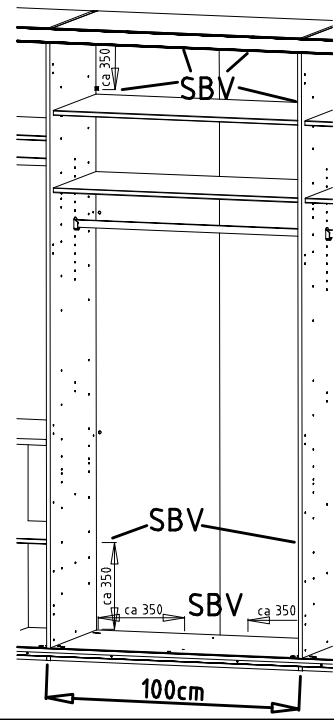
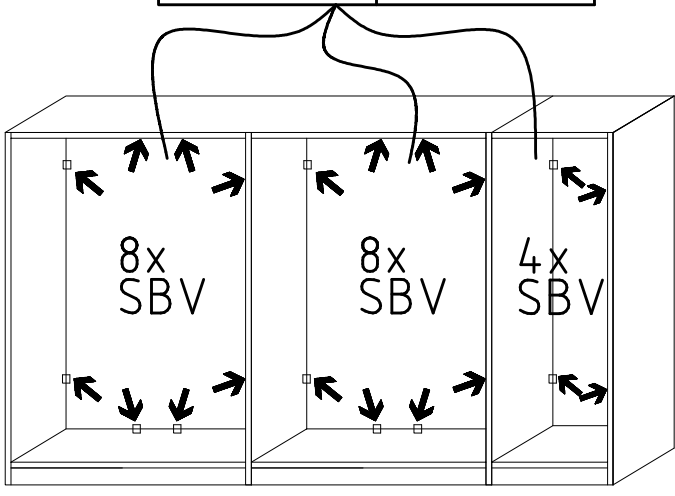
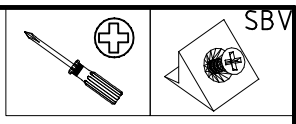
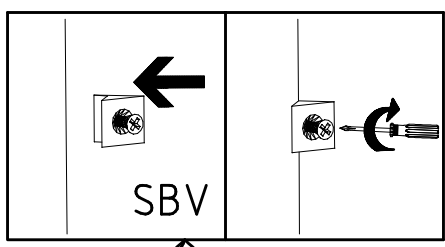
| | | | | |
|------------------------------|-------------------------------|-------------------------------|--------|---------|
| M4 x 10 mm G43 121 xxx | M4 x 13 mm GH13 121 xxx | 3,5 x 35 mm G14 121 375 | SWT-ST | SWT-SM5 |
|------------------------------|-------------------------------|-------------------------------|--------|---------|



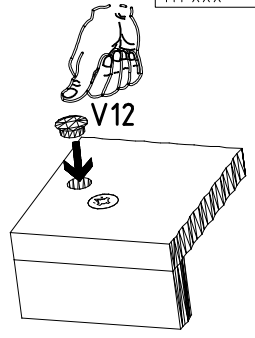
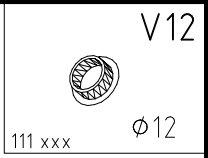
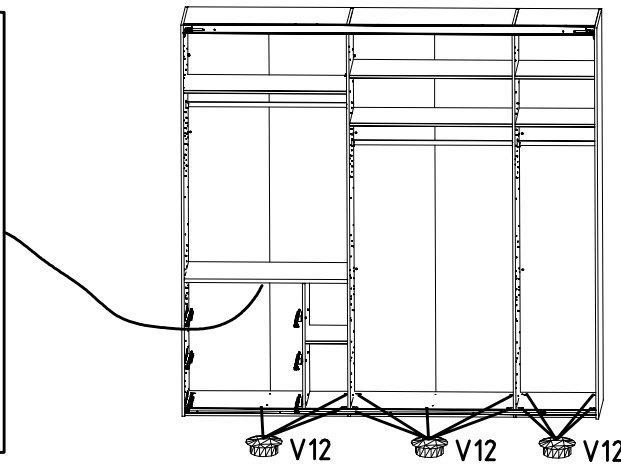
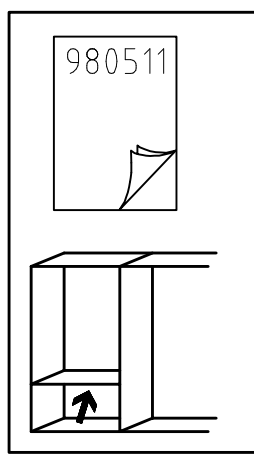
| |
|---------------------------------|
| FPK 1453/1940/2430/2920/3408 |
| 3,5 x 22 mm G24 121 004 |



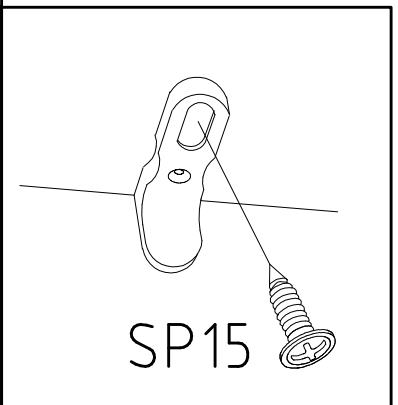
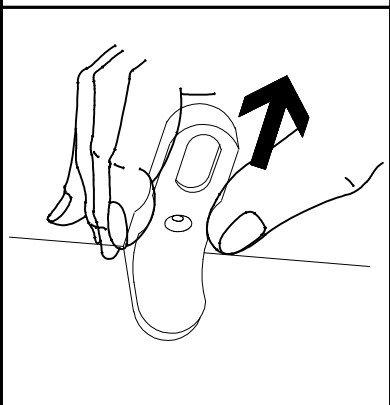
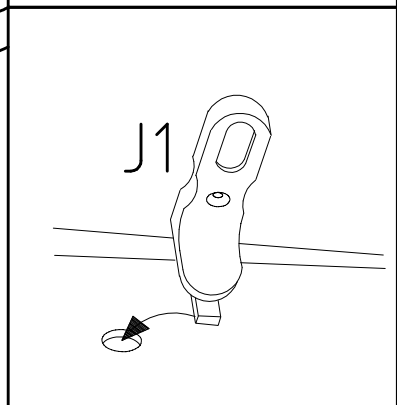
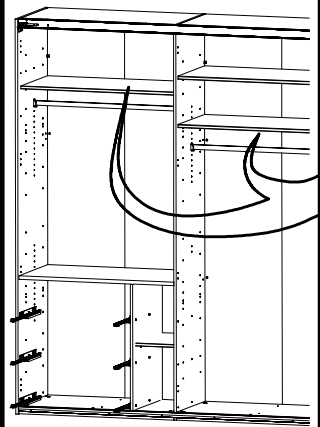
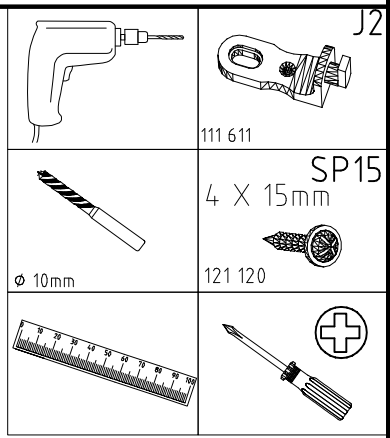
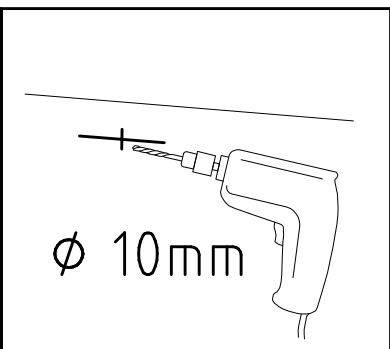
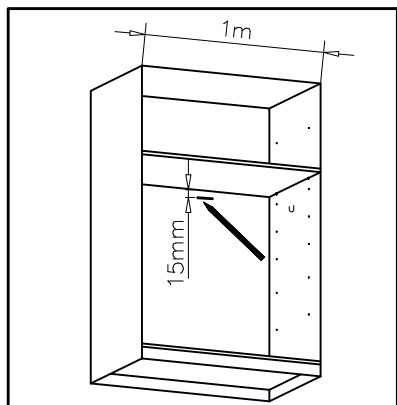
30



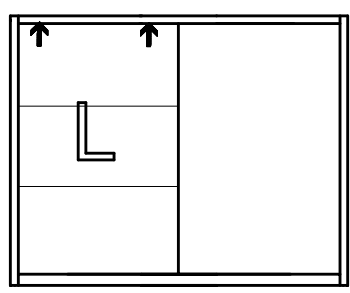
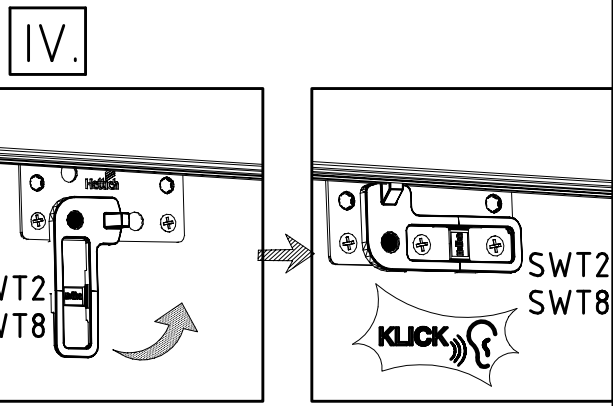
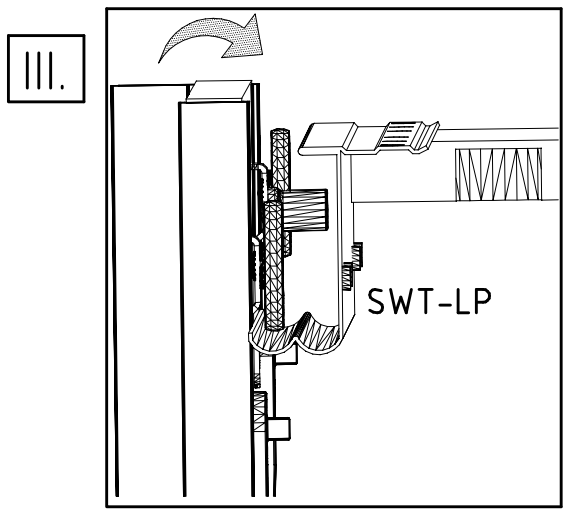
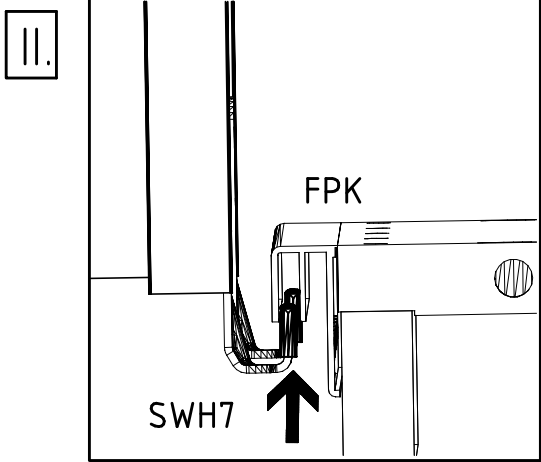
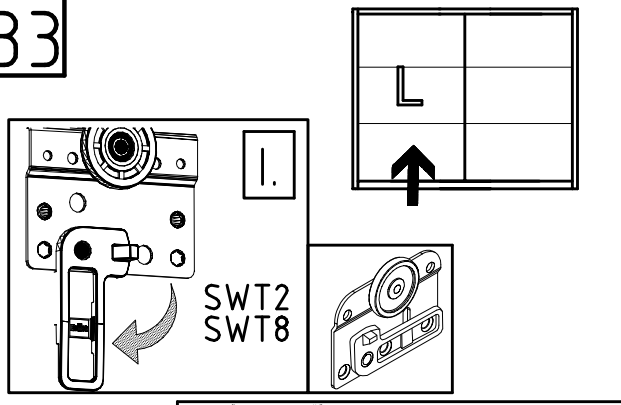
31



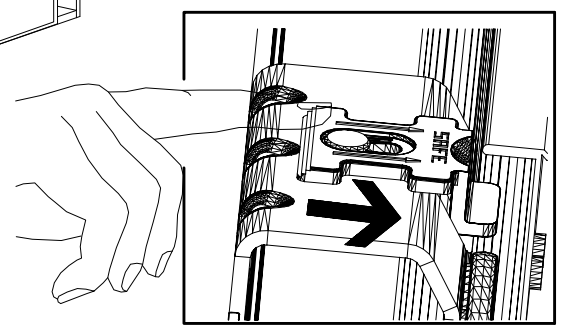
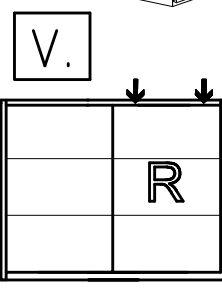
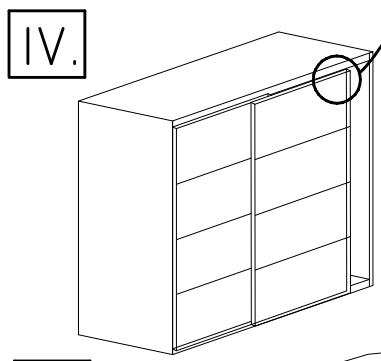
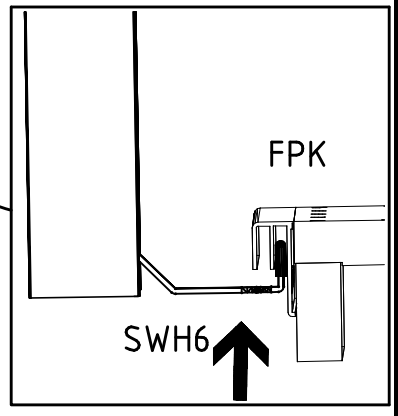
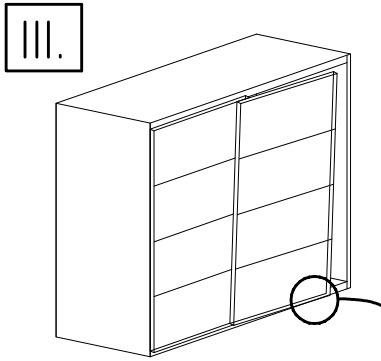
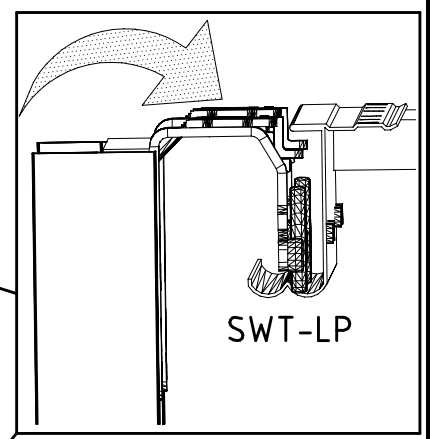
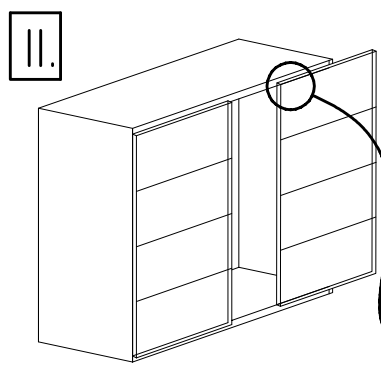
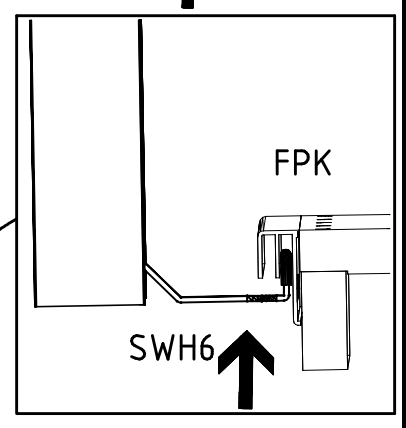
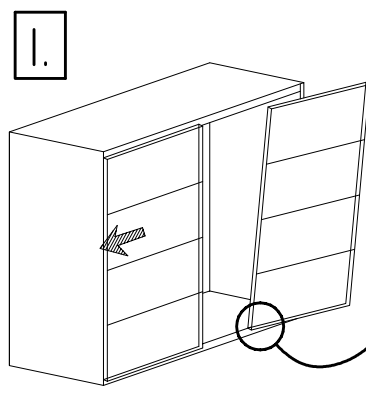
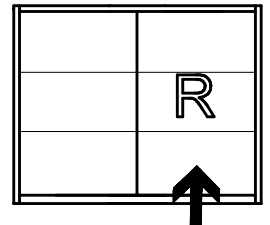
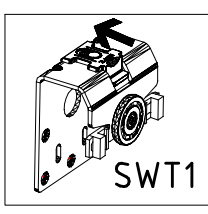
32



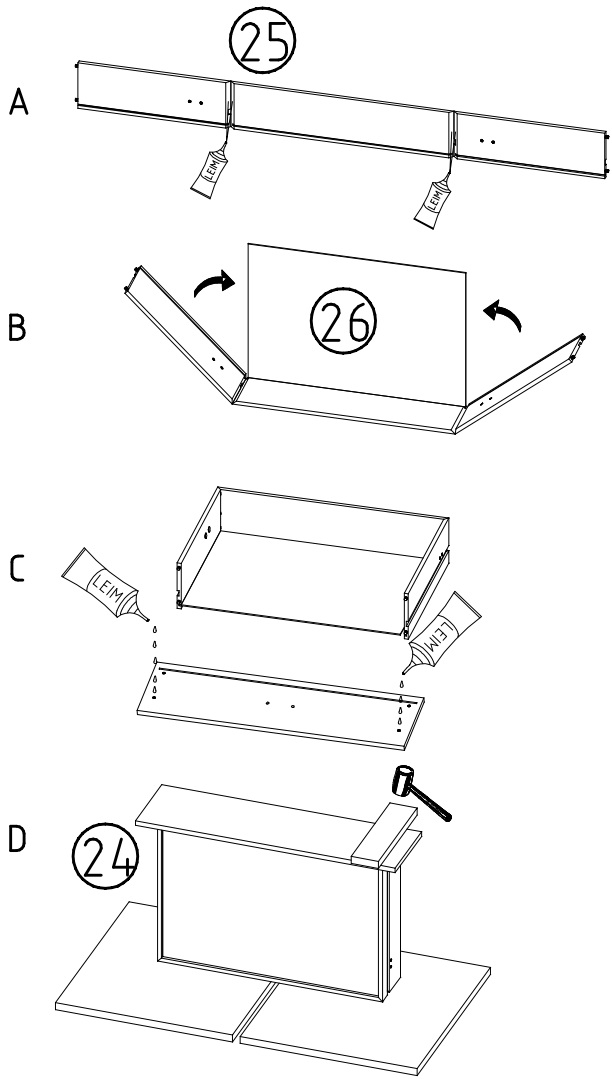
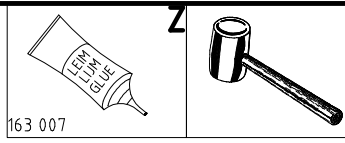
33



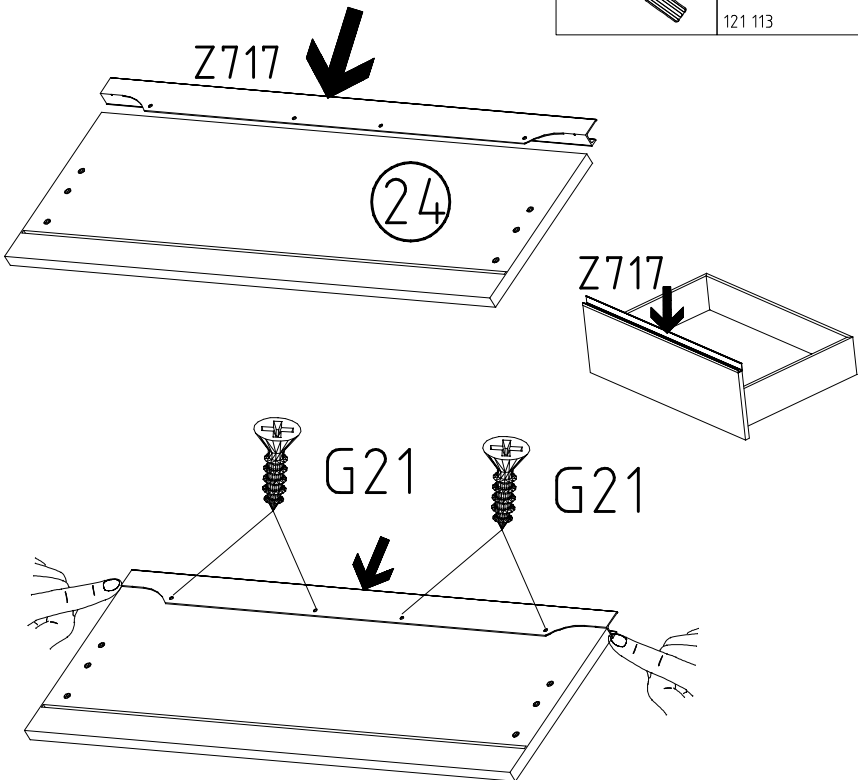
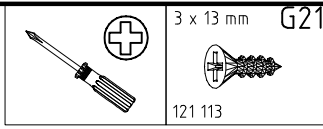
34



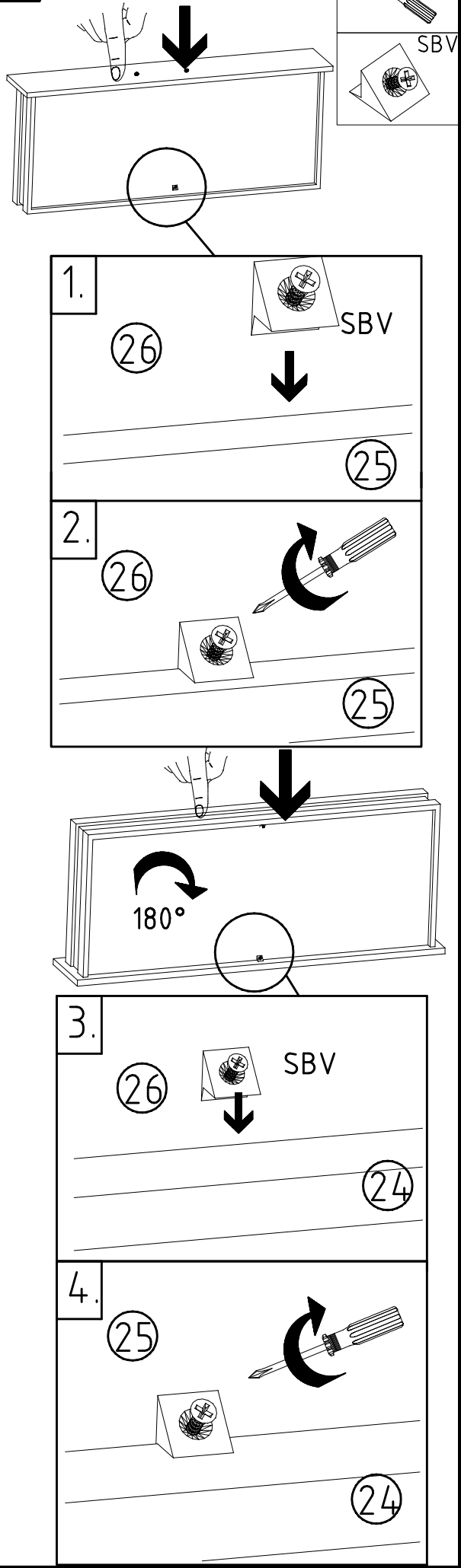
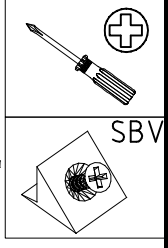
35



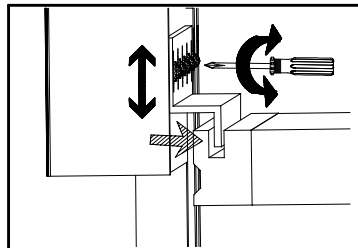
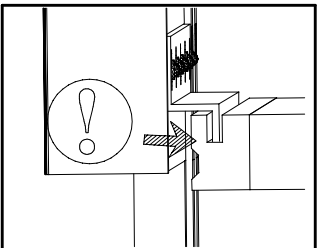
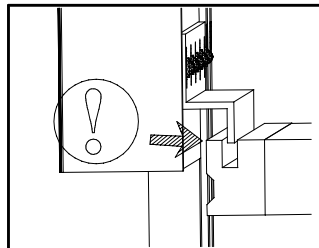
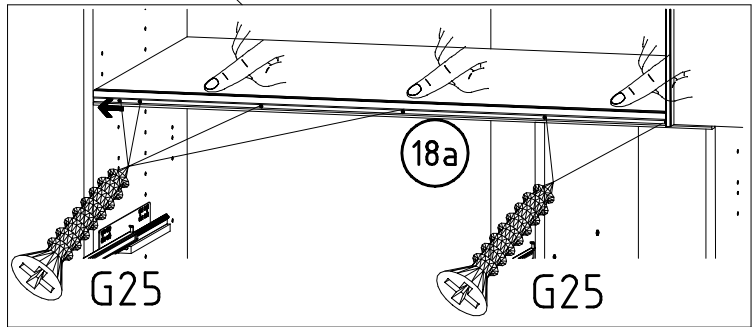
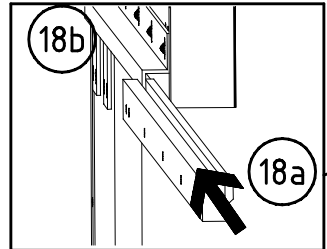
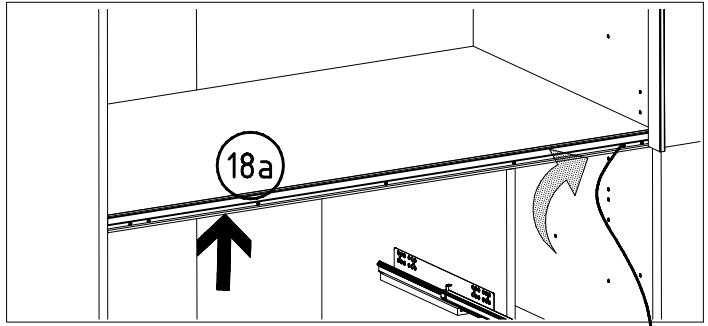
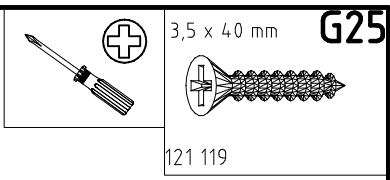
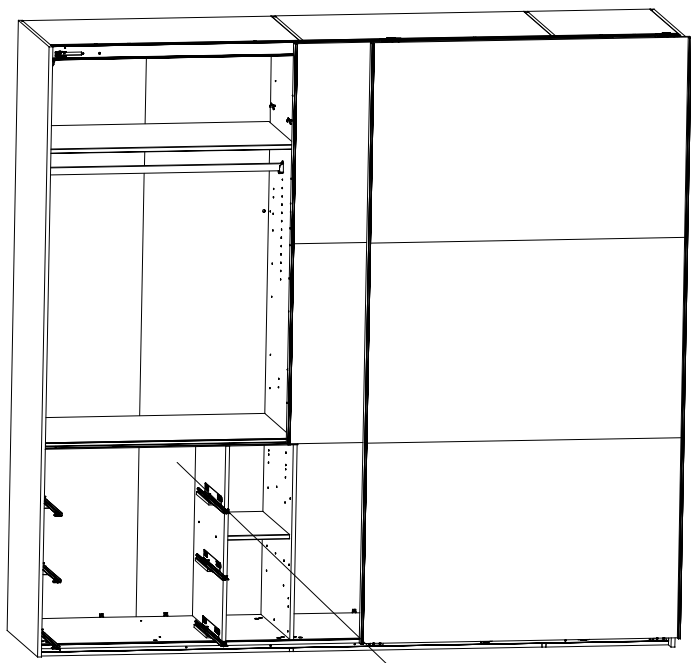
36



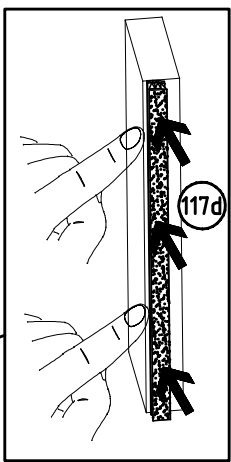
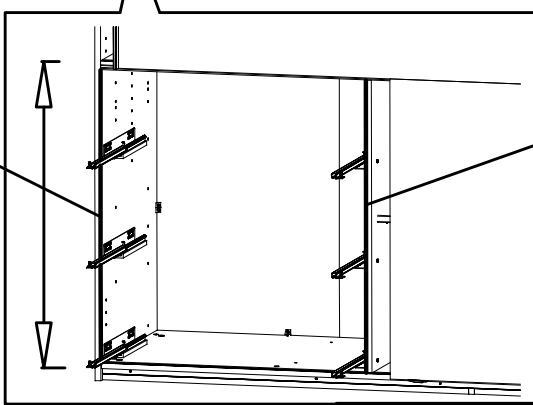
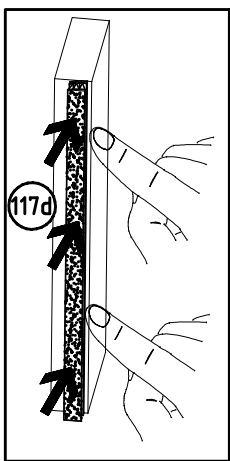
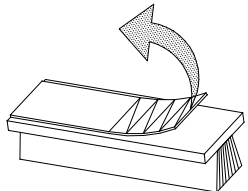
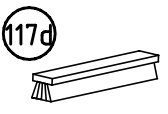
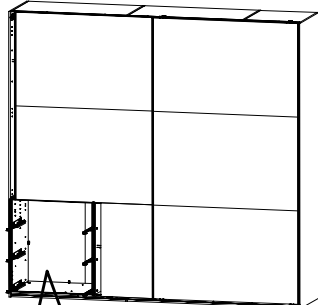
37



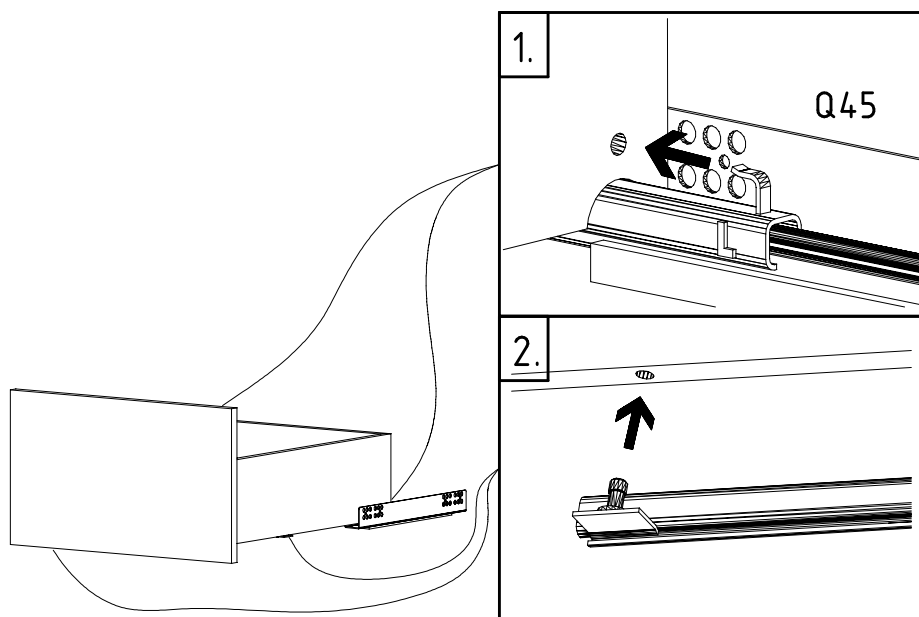
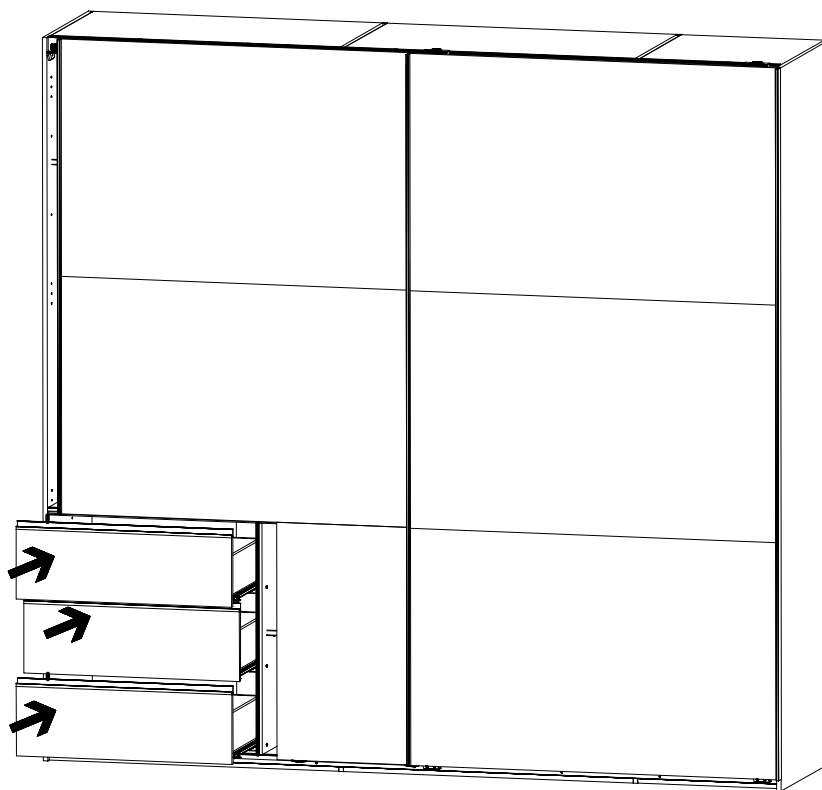
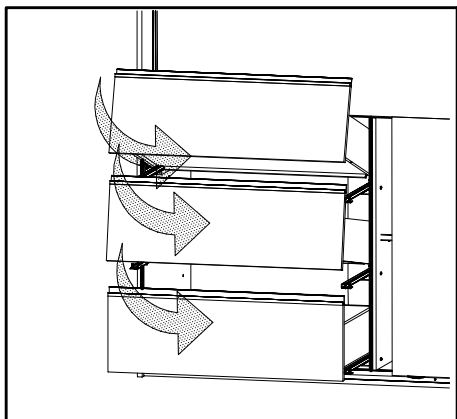
38

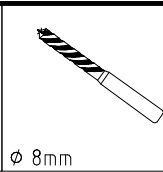
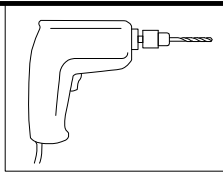


39

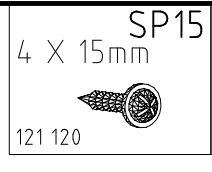
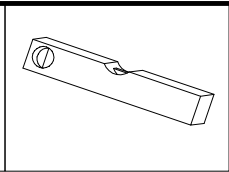
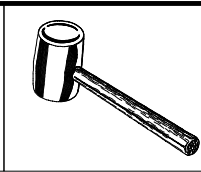


40



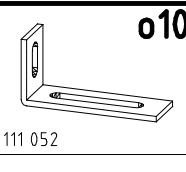


ø 8mm

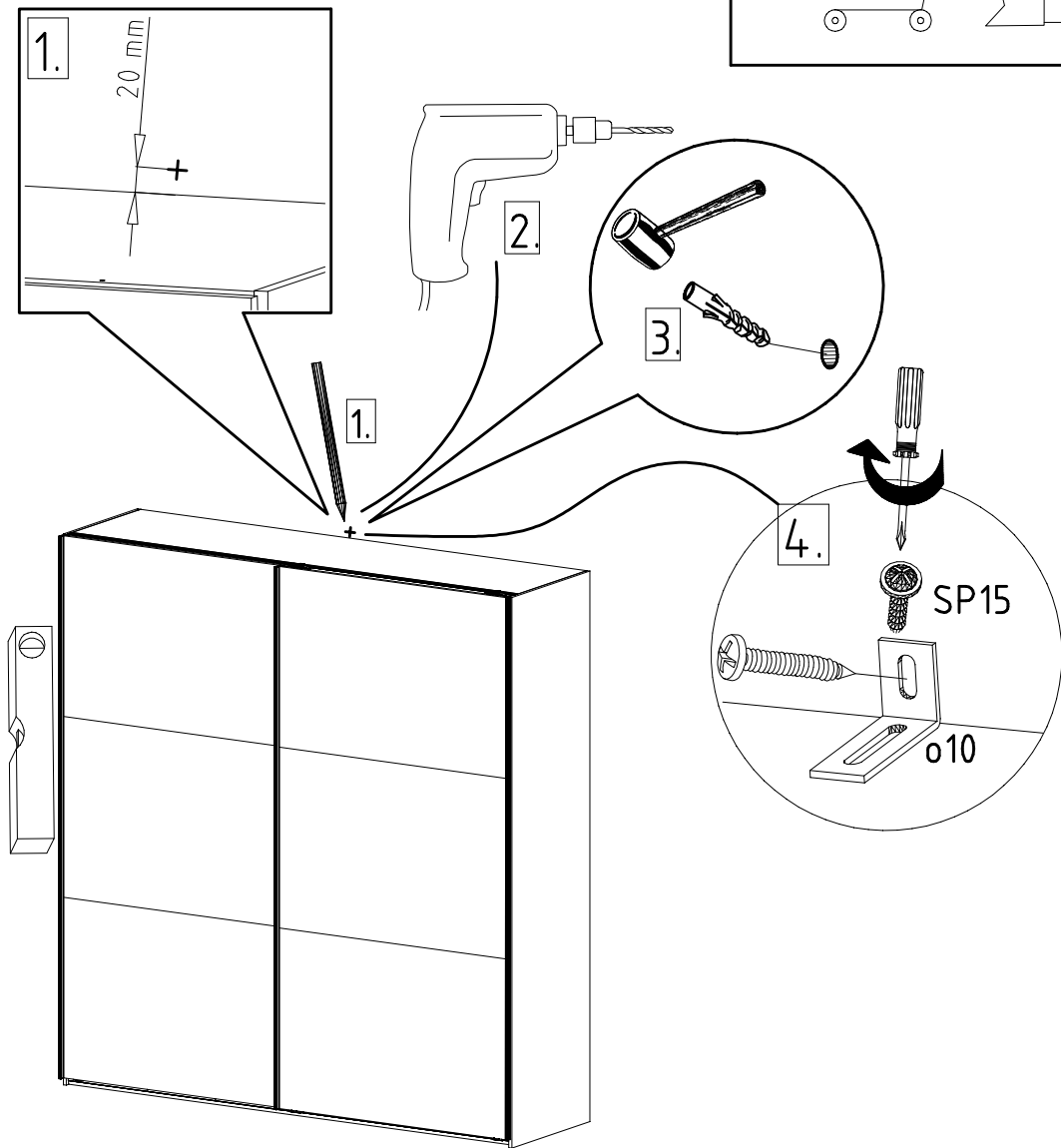
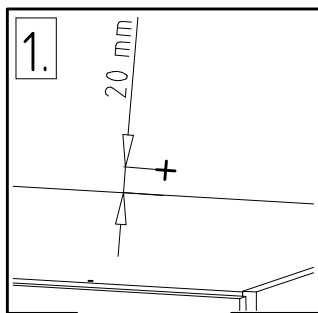
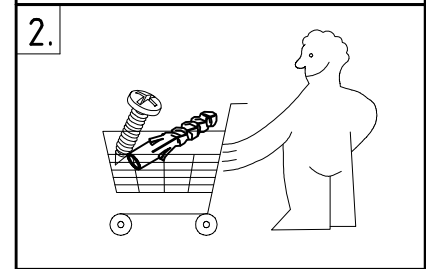
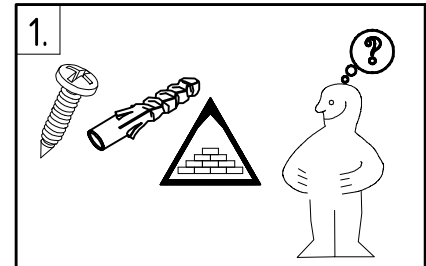


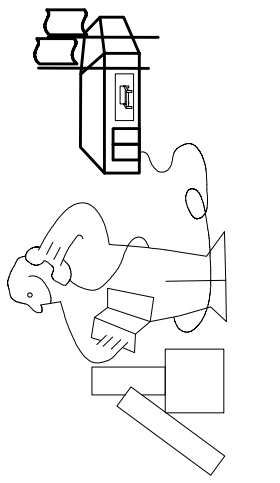
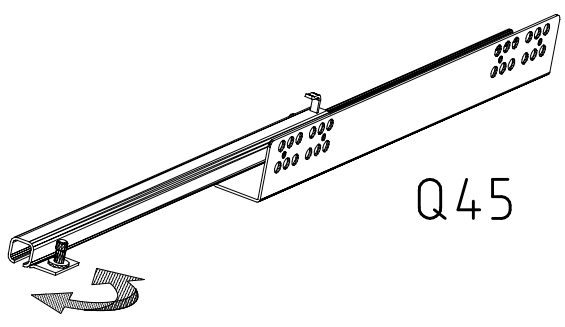
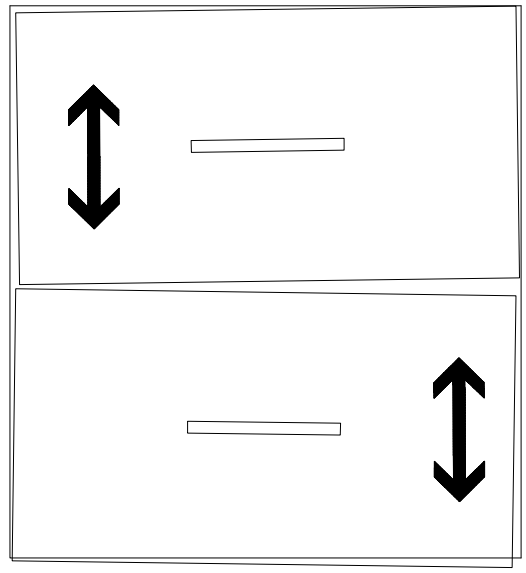
SP15
4 X 15mm

121 120



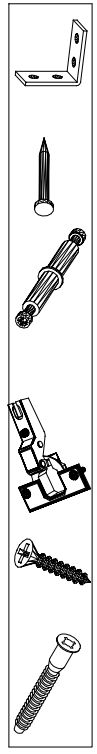
111 052





Modell/Model/Modèle

5.



| | | |
|-----------|---------|------|
| (121 370) | (G 1) | (4x) |
| | | |
| | | |
| | | |
| | | |

Änderungen die dem technischen Fortschritt geschuldet sind, behalten wir uns vor!
 Bei nicht vorschriftsmäßiger und/ oder nicht fachmännischer Montage wird bei Personen- und/ oder Sachschäden keinerlei Haftung übernommen.